

TS5X TOUCH SCALE

OPERATION MANUAL



Xiamen Pinnacle Electrical Co., Ltd.

Add:4F,Guangxia Building, Torch High-Tech Zone, Xiamen, Fujian Province, P.R.China,361006



Declaration of Conformity



This declaration of conformity is issued under the sole responsibility of the manufacturer.
NMi certin BV-0122 has carried out the EC surveillance
referred to the Directive 2014/31/EU, Annex II Module D.

Name and address of manufacturer or his authorized representative

The non-automatic weighing instrument

Manufacturer: Xiamen Pinnacle Electrical Co., Ltd.

Type: TS5X

No of the EC type-approval certificate (where applicable): T8318

Gravity: Utilized g: 9.7999m/s²

corresponds to the production model described in the EC type-approval certificate and to the requirements of the Directive 2014/31/EU and harmonised standard EN45501:2015 as amended and to the requirements of the following EC directives:

Directive: 2014/30/EU

Directive: 2014/35/EU

Electromagnetic compatibility

Electrical security

Signature:

Xiamen Pinnacle Electrical Co., Ltd.

Date:

S/ N:

Important Safety Information

- Please read these safety instructions carefully.
- For safety of SD card and USB data, when pulling out SD or USB, please firstly press power button slightly for standby mode and then pull it out.
- Keep this user manual for later reference.
- Before turning on the machine, please make sure that the electric power meets the requirements, (such as the electrical pressure and frequency), and that your electrical outlet is really connected to the ground.
- This product meets the relative requirements of the national standard IEC 60950: 2001 'Safety of information technical equipment'.
- Thunder can hurt this product and even your personal safety, so please pull out the network cable, electrical cable and other conductor connecting external attachment in thunder days.
- The non-experts or non-authorized people please don't open the machine shell.
- Please don't spatter any sundries or liquid into the machine; please don't stuff anything inside this product, otherwise it may cause short circuit and therefore may lead to fire or get an electric shock.
- Please do not plug or unplug with wet hand.
- Make sure the switch is off when plug or unplug the power.
- Incorrectly changing the lithium battery on the main board and the UPS lithium battery in the machine may cause a blast, so please make sure installing and changing the lithium batteries under the instruction of the expert service personnel.
- Please be sure not to change the battery with a wrong type one, otherwise there is danger of explosion.
- Be sure to deal with used battery with the way of dealing with waste battery.
- Please charge the lithium battery about every three Months, in case it would discharge over time and lead to useless.
- Please lay this product packed in the 10-40°C environment for at least 2 hours before turning on if it was stored in less than 10°C temperature environment during the transportation, so as to avoid the damage on the product due to a big change of environmental temperature.
- For PLUGGABLE EQUIPMENT, the socket-outlet shall be installed near the equipment and shall be easily accessible.
- Please don't throw anything on this product or hit against it.
- Please do not disconnect the line cord while its working, if not the product would be broken.

- Please be sure use our line cord only.
- If there is abnormal noisy, burnt smell or smoke given out from the product, please cut off the power and disconnect the plug immediately. And contact the service center. Or there is danger of electric shock or fire.
- Please do not allow children to climb up on the product, in case the product drops and hurt them.
- Please do not disconnect any parts or lines except USB equipment while using.
- Switch off the product if you will not use it in a long time.

Maintenance of the External Surface and Screen

Clean the machine in shutdown mode.

- Clean the product with fine cloth or tissue dipped in little clean water.
- Please do not clean the machine with fabrics, so as not to scratch the surface screen and metal logo affixed on the product.
- Please do not clean the product with flammable materials like benzene and thinner.
- Please do not scratch the screen with fingernails and sharp objects.
- Please do not spray water directly on the screen while cleaning, if it happens it may cause electric shock or product breakdown.
- Please clean the angles with soft hairbrush.

Note: In order to make sure the normal use of the product, please clean the screen carefully every day. Make sure the screen is clean without ash, water, or oil on the screen.

Please read this precaution before installing, operating and checking the product.

WARNING

This is a Class A product. In a domestic environment this product may cause radio interference, in which case the user may be required to take adequate measure.

STATEMENT

More information about software, driver, etc. please download from <http://download.aclas.com/en/index1.html>

Content

1. General Description	1
1.1. Unique Functions	1
1.2. Excellent Functions	1
1.3. Connector Panels	2
.....	2
1.4. Drawer Port Definition	2
1.5. Specification	3
2. Installation	4
2.1. Machine Installation	4
2.2. Paper Installation	6
2.2.1. Label Paper Installation	6
2.2.2. Receipt Paper Installation	7
2.2.3. Linerless Paper Installation.....	8
3. Scale Placement	9
4. Basic Operation	11
4.1. Power On and Power Off.....	11
4.2. Scale Mode Switch	11
4.3. Tare Operation	12
4.4. ‘->0<-’ Operation.....	13
4.5. Auto Print and Manual Print.....	13
4.6. Operation of Label Scale	14
4.6.1. PLU Sales operation	14
4.6.2. Changing Price.....	14
4.6.3. Item Discount (%) and Item Discount (\$)	15
4.6.4. Other Functions	16
4.6.5. Product Search	17
4.6.6. 1/2 Price	17
4.6.7. Long Click to Choose Tare.....	18
4.6.8. Feed.....	18
4.7. Operation of Floating Vender Mode	19
4.7.1. Sales Operation	19
4.7.2. Calculate by weight	19
4.7.3. Calculate by Piece.....	22
4.8. Operation of Self-Service Scale.....	24
5. System Settings.....	26
5.1. Report	26
5.2. Program.....	27
5.2.1. PLU Related.....	28
5.2.1.1. PLU Setting	28
5.2.1.2. Gift Baskets Function	30
5.2.1.3. Tare Setting	31
5.2.1.4. Ice Content.....	32
5.2.1.5. Auxiliary Information Setting.....	32
5.2.1.6. Second Display	34
5.2.2. Price Related	34

5.2.2.1.	Tax Setting	34
5.2.2.2.	Discount Schedule Setting	35
5.2.3.	Text Related	36
5.2.3.1.	Receipt Head and Foot Setting	36
5.2.4.	Various	37
5.2.4.1.	Date & Time	37
5.2.4.2.	Category.....	38
5.2.4.3.	Parent Category	38
5.2.4.4.	Department	39
5.2.4.5.	Vender Authority.....	40
5.2.4.6.	Vender	40
5.2.4.7.	Payment Method	41
5.2.5.	Traceability	41
5.3.	Setup	42
5.3.1.	Basic	43
5.3.1.1.	Company Info	43
5.3.1.2.	Theme and Style	43
5.3.1.3.	Barcode Format	44
5.3.2.	Application	45
5.4.	Parameter Settings	45
5.4.1.	Settings 1	46
5.4.1.1.	Region and Language	46
5.4.1.2.	System Settings.....	47
5.4.1.3.	Common Settings.....	48
5.4.1.4.	Scale Related	48
5.4.2.	Settings 2	50
5.4.2.1.	Unit	50
5.4.3.	Settings 3	50
5.4.3.1.	Basic Print Option.....	50
5.4.3.2.	Daily Report Print Option.....	51
5.4.3.3.	Label Management	51
5.4.4.	Device 2.....	52
5.4.4.1.	Screen Capture.....	52
5.4.5.	Reset	52
5.4.5.1.	Reset System.....	52
5.4.5.2.	Erase Data	53
5.4.6.	Data Backup & Overviews	53
5.4.6.1.	Data Backup.....	53
5.4.6.2.	Data Backup & Recovery	54
5.4.6.3.	Software Version.....	54
5.4.6.4.	View Scale Gravity	55
5.4.7.	Server-Client / e-mail.....	55
5.4.7.1.	Server & Client	55
5.4.7.2.	Network Setting	56
6.	Familiar Malfunctions Analysis and Elimination	57
7.	Appendix: Barcode Coding List	59

1. General Description

1.1. Unique Functions

- ※ ARM power economical design which only needs 1/20 power consumption of PC saves nearly a thousand RMB per year.
- ※ Bar code scale, which firstly adopts capacitive touch screen style in whole world, prolongs life span for less scratching and fraying.
- ※ Embedded time-expanding UPS allows further 4 hours continuous scale working (30 pieces of bills per hour) or 300 bills constant printing when scale is out of supply.
- ※ Patent insect –proof design prevents the defect caused by bugs entering into the machine.
- ※ DLL and web service port: the newly designed web service port provides the third software company with an effective and handy connection way.

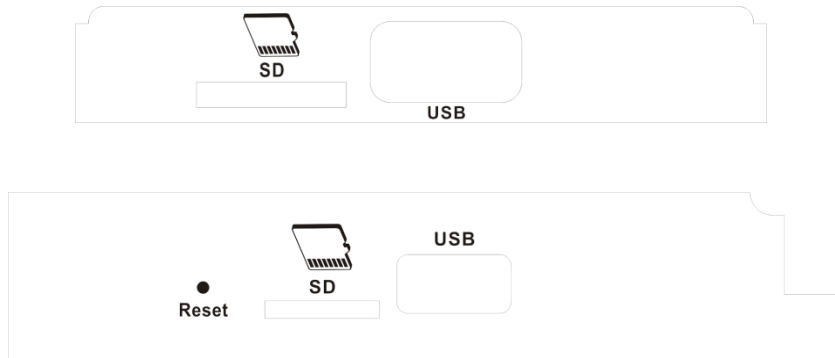
1.2. Excellent Functions

- ※ Operating system: WINDOWS CE, LINUX, ANDROID system operating system: Web service Johnson information exchanging protocol of proscenium CE software is free from PC which directly connects itself with data base before.
- ※ Floating vendor function, which supports Floating vendor operation on different scales of a network, can print out overall bar codes label attached to external bags when checking. And it will print out overall bar codes when internet connected, otherwise only one bar code.
- ※ Drawer style paper input module design: Drawer style paper input box enhances work efficiency and shorts customers' check-waiting time for functions of paper automatic alternating, intelligent labels and bills recognition.
- ※ Maintained easily: it is very easy to be maintained for separated design of printing head and paper input module allowing free dismantling.
- ※ 10.1' color customer screen provides animations and AD videos releasing so as to enhance image of enterprise and stimulate customer purchasing need.
- ※ Adjusted point of view of store display screen can be used both on high cabinet and plain desk.
- ※ Software: humanistic interface, easy to operate and can define size of shortcut key and insert illustrations.
- ※ Display screen: 10.1' infrared touch screen, selectable dot matrix with back light or 10.1' color customer screen look exquisite and beautiful .and are easy to clean.
- ※ Nutrition information available function can print out nutrition ingredient on label for customers.
- ※ With the function of printing all goods information on a label for paper saving.
- ※ Barcode traceable function can locate the source of food rapidly for food security.
- ※ Two-dimensional code available.
- ※ Video supervision function supports omnibearing supervision of proscenium.
- ※ Online sale function ensures the newest PLU information updating.
- ※ The second label printing function can print nutrition and other information on second label.
- ※ Optional models: optional single label printer, double printer with POS function can print labels and different POS receipts
- ※ Wide-ranged network function can make connection with backstage at any time and make control of PLU information to achieve chained stores controlling only one main host machine.
- ※ Support connecting scanner, POS, printer and other external device: scanning selling can be achieved.
- ※ SQL data port provides with fast POS machine connection and information exchanging.

1.3. Connector Panels

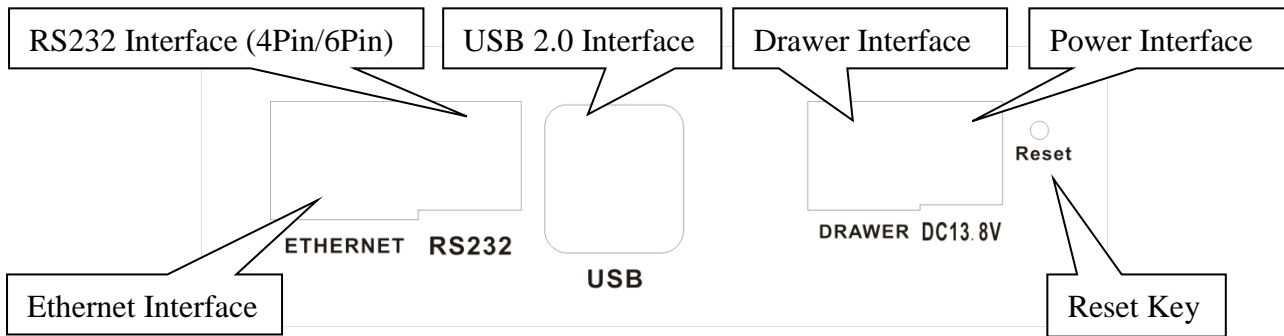
Connector Panel 1 (front):

The connector panel 1 is located in the right side of the operator screen, inside a plastic cover.

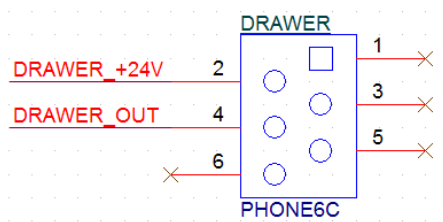


Connector Panel 2 (below):

The connector panel 2 is located at the bottom of the scale. Please overturn the scale, and then the connectors can be seen clearly.



1.4. Drawer Port Definition



Aclas Drawer

Pin No.	Signal name	Direction
1	NC	-
2	+24v	-
3	NC	
4	Drawer kick-out driver signal 1	Output
5	NC	-
6	NC	-

1.5. Specification

Optional Type	TS5PX-A	TS5NX-A	TS5EX-A	TS5GX
Operator Display	10.1' Capacity Touch Screen Resolution: 1280*800			15' Capacity Touch Screen Resolution: 1024*768
Touch Screen Type	Capacity Touch Screen			
Customer Display	10.1' Color Screen			10.1' Color Screen /Without
Range	6kg/15kg; 15kg/30kg			
Division Value	2g/5g; 5g/10g			
OS	Window 10, Linux, Android System			
CPU	Intel Z3735, Quad-Core, up to 1.83GHz			
RAM	2GB RAM			
Memory	32 GB EMMC			
PLU Type	Hotkey number, LF code, PLU name, article number, unit price, pricing unit, first label, second label, tare, barcode, department, package date, package time, preservation date, weight, package type (normal, fixed weight, fixed price, both fixed weight and price), nutrition message, traceability code, additional information 1, additional information 2, discount			
Optional Function	WIFI, Linerless Paper Model Clip, Optional 12V 4.5Ah			
Printer	Label printer's Paper	Label paper/Linerless label/Receipt paper: 57 mm Φ105 mm/62 mm		
	Receipt printer's Paper	57 mm/Φ50 mm		
	Printer Type	Clip type label printer, fast-switching between label and receipt printing		
	Print Speed	120 mm/s		
Barcode Type	EAN 8, EAN 13, EAN 128, 2/5 Interleaved, GS1, QR code, etc.			
Communication	1*Ethernet, 1*RS232, 2*USB, 1*Drawer			
Power Supply	AC 100-240V 50—60Hz; DC 13.8V 3.2A			
Working Temperature	0°C-40°C			

2. Installation

2.1. Machine Installation



1 Please check carefully when opening the machine box



1) Display



2) Screws



3) Scale platter module



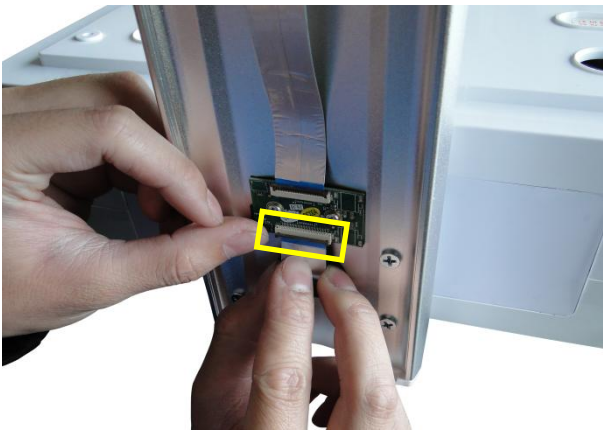
4) Scale platter



2 Take off the cover as the picture circled.



3 Screw the screws as circled in the picture and wind the line of the machine to front through display pole rod.



4 Connect the line



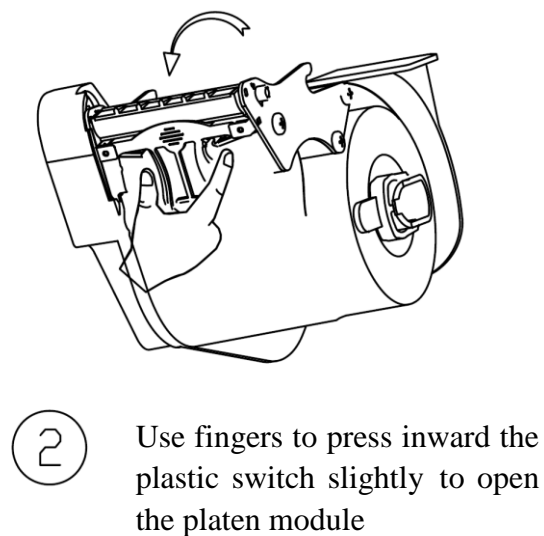
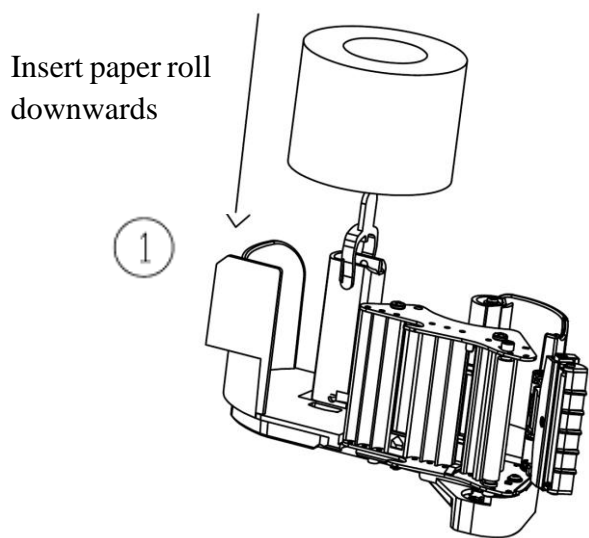
5 Fix the machine and display pole



6 Installations finished.

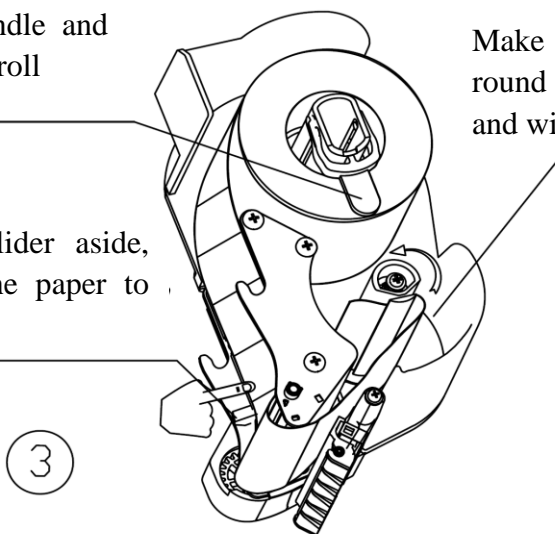
2.2. Paper Installation

2.2.1. Label Paper Installation



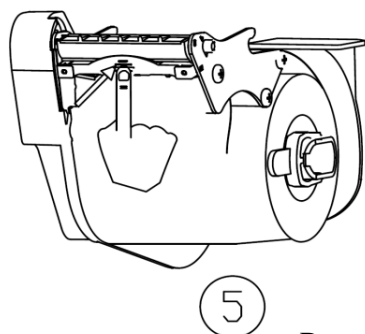
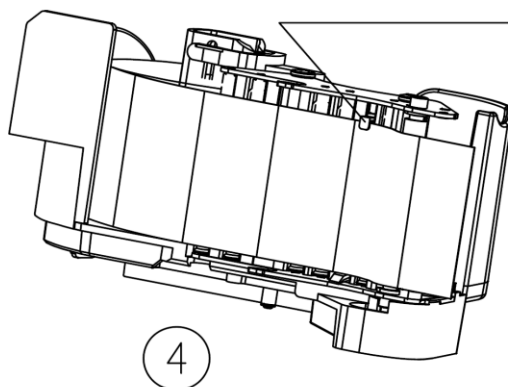
Push the handle and fix the paper roll

Keep this slider aside, and insert the paper to the slider



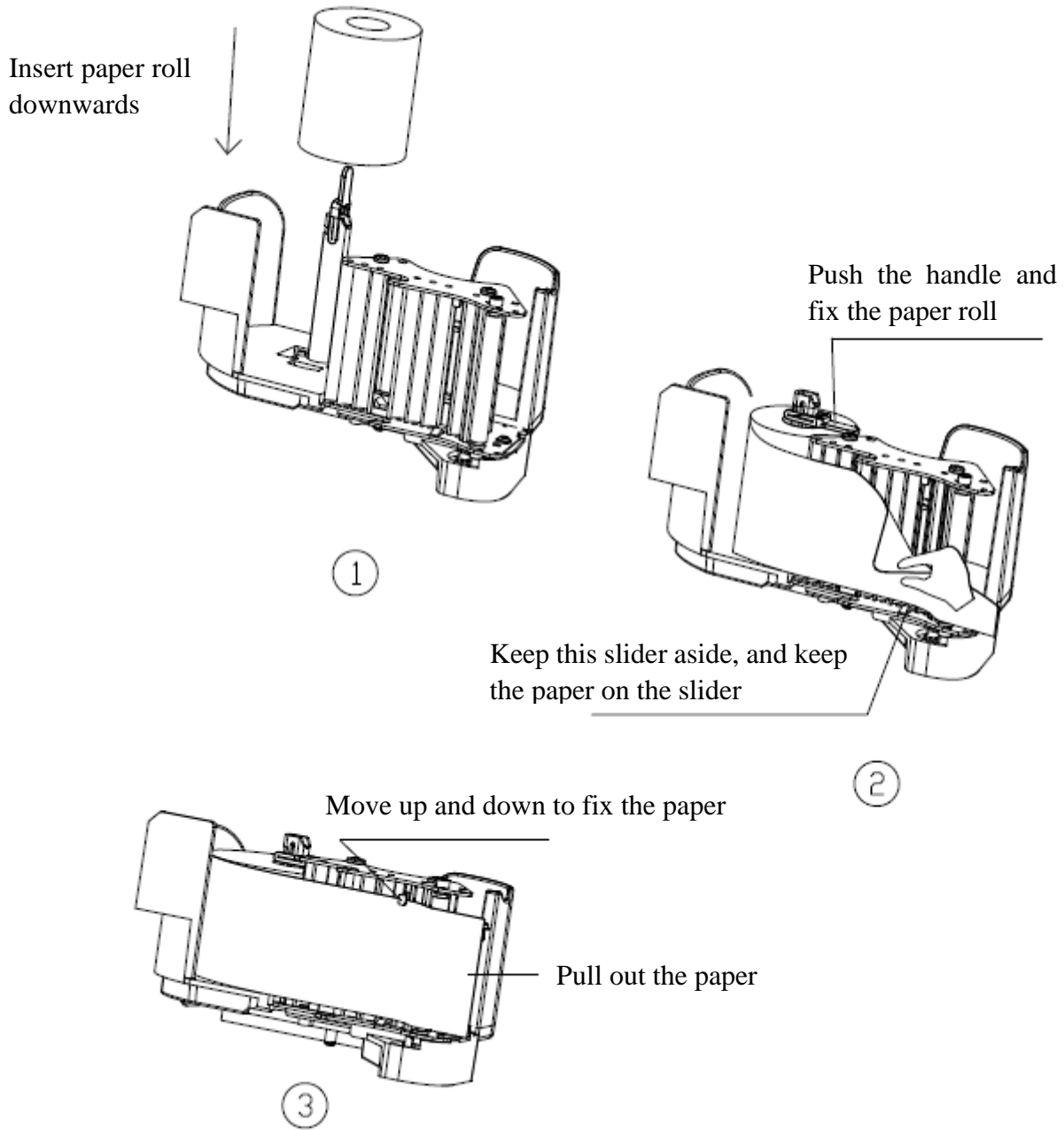
Make the body paper round the delivery axle and wind 2 circles

Move this slider up and down to fix the paper

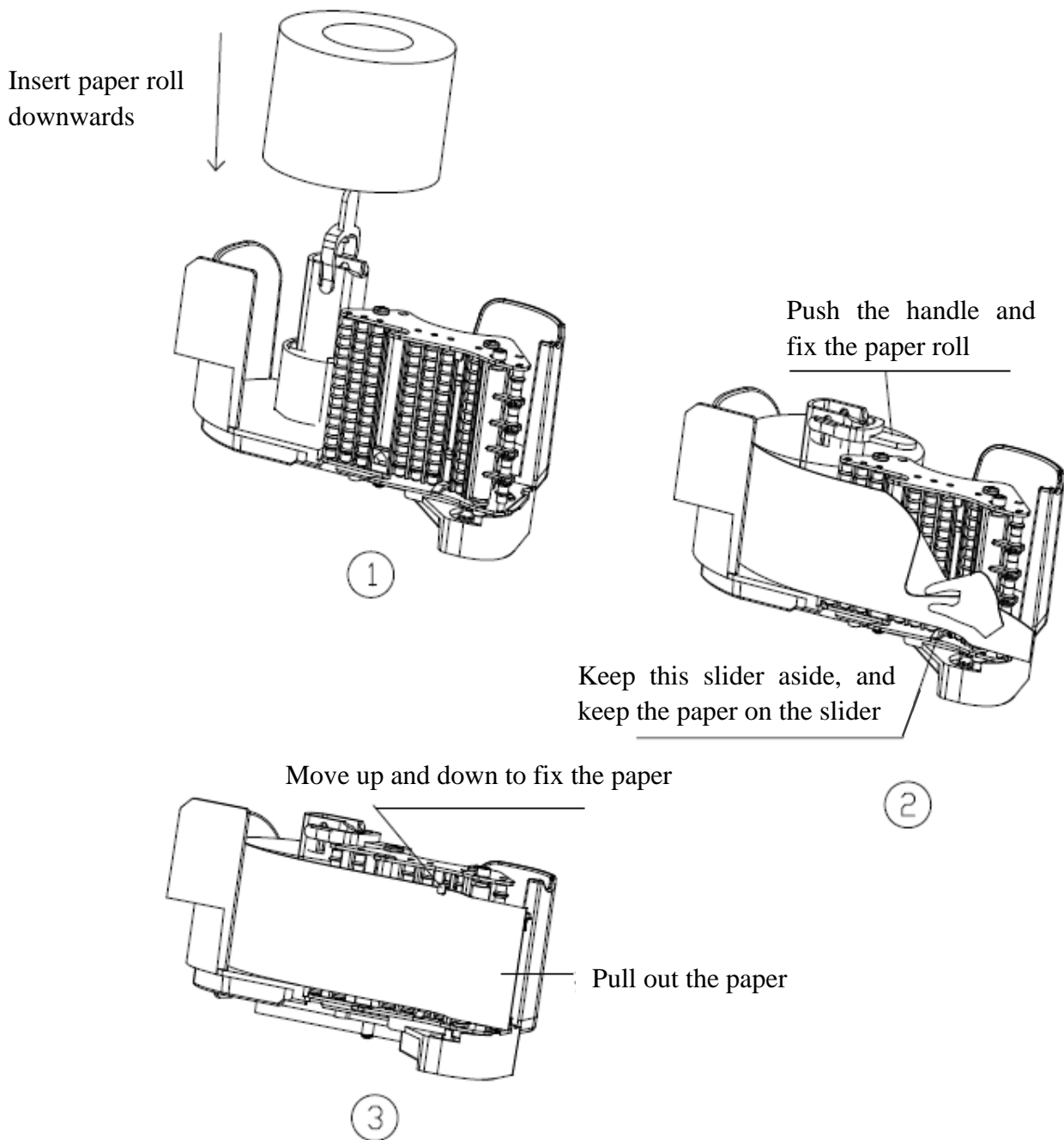


5 Press the plastic switch to close the platen module.

2.2.2. Receipt Paper Installation



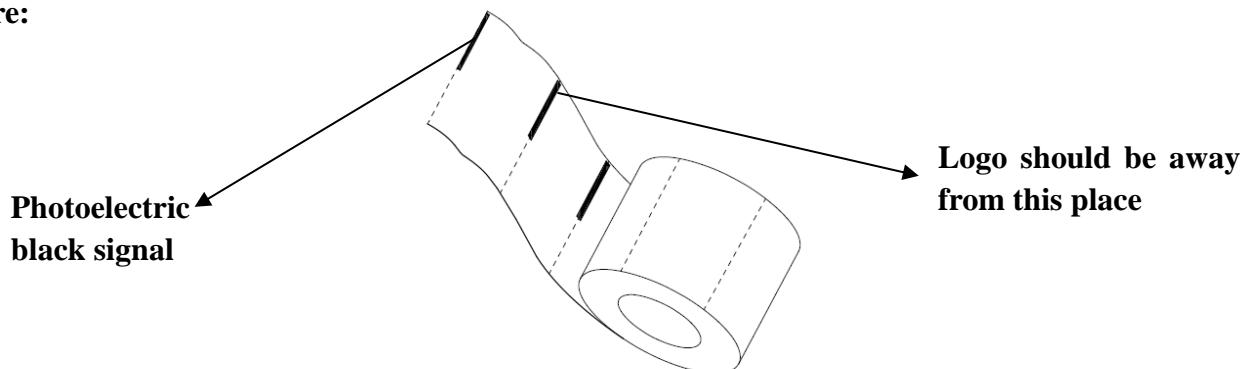
2.2.3. Linerless Paper Installation



Note:

For avoiding printing deviation caused by photoelectric detection mistake please avoid photoelectric black mark on linerless paper (picture below) when customize your linerless paper with logo.

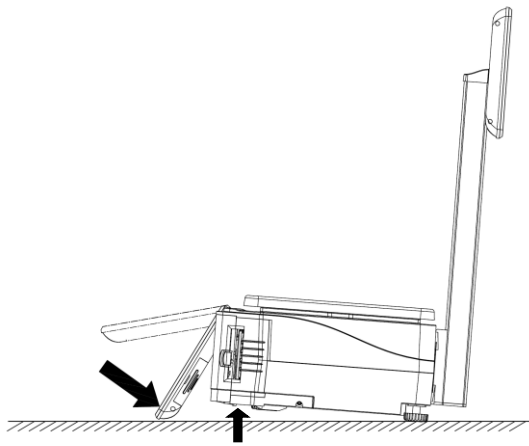
Picture:



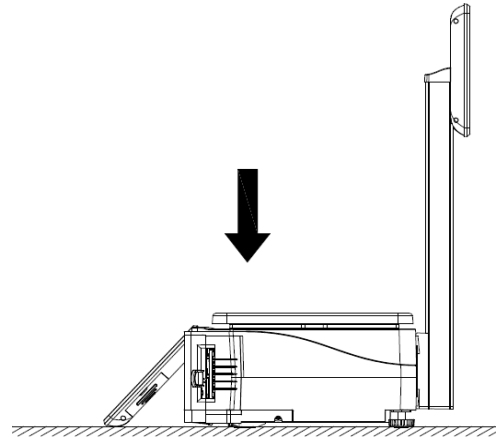
3. Scale Placement

In order to avoid instability of keyboard when operate on it, please choose the proper method to place according to the following cases:

1) When scale is placed on normal desk, please make sure that the bottom of keyboard and scale is in a horizontal line to avoid instability of keyboard when operate on it.

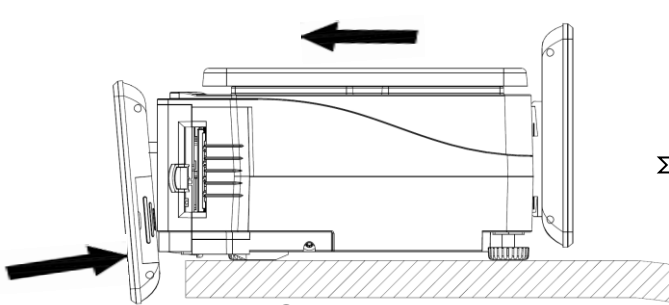


(1) Please raise up the front stands for about 3~5cm, and press the keyboard down follow the upwards arrow direction until touch the desk.

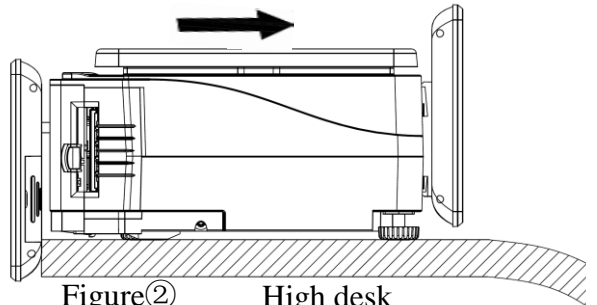


(2) Please lay the front stands down gently on the desk, so the keyboard bottom clings to the desk stably. So you can operate on the keyboard stably.

2) When scale is placed on high desk, please make sure the keyboard leans against the edge of desk. Push the scale ahead and press the keyboard back refer to the direction of figure①; then push the scale back to make sure the keyboard leans against the edge of desk like below figure②:

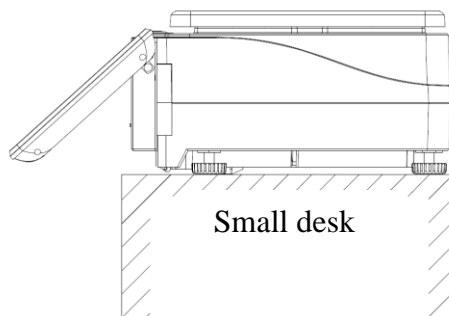


Figure① High desk



Figure② High desk

3) When the desk is too small to make sure the bottom of the keyboard touch the desk firmly, the keyboard will not be stable when operate (Like Figure 1). For stable, please purchase a studdle from Aclas After-sales or purchase a stainless gavelock which has a diameter of 3mm and bend it according to the following Step 1, and install the studdle on the scale refer to the following Step 2, 3 and 4:

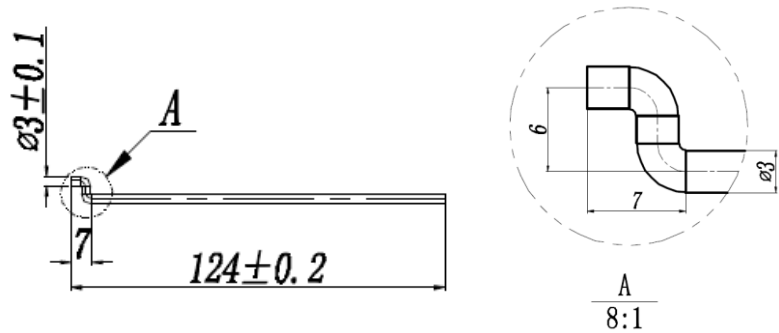


Small desk

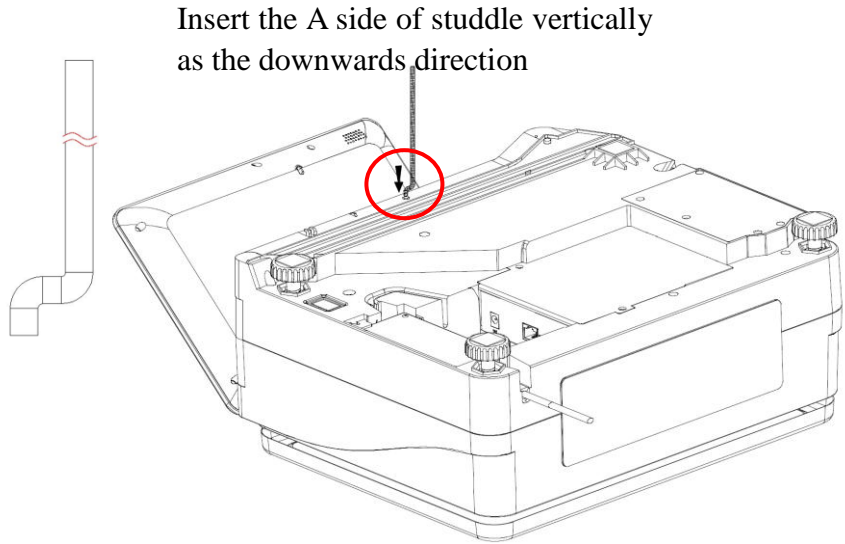
Figure 1

Step 1: Take a stainless gavelock of 3.0mm diameter, and bend it according to the figures on the right;

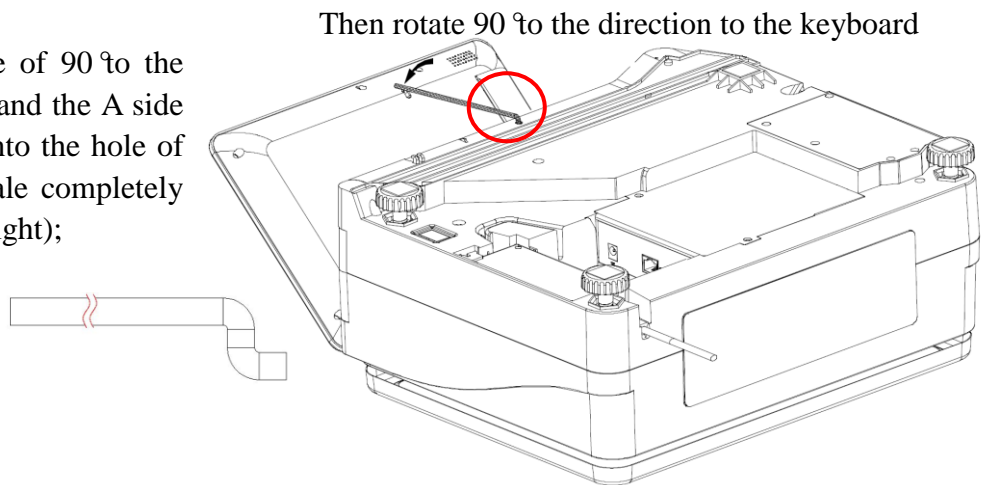
Note: you can purchase the studdle from Aclas After-sales directly, P/N: MTS5M16SSZHCHGV00N



Step 2: Insert the A side of studdle vertically into the hole of the lower cover of the scale (refer to the figure on the right);

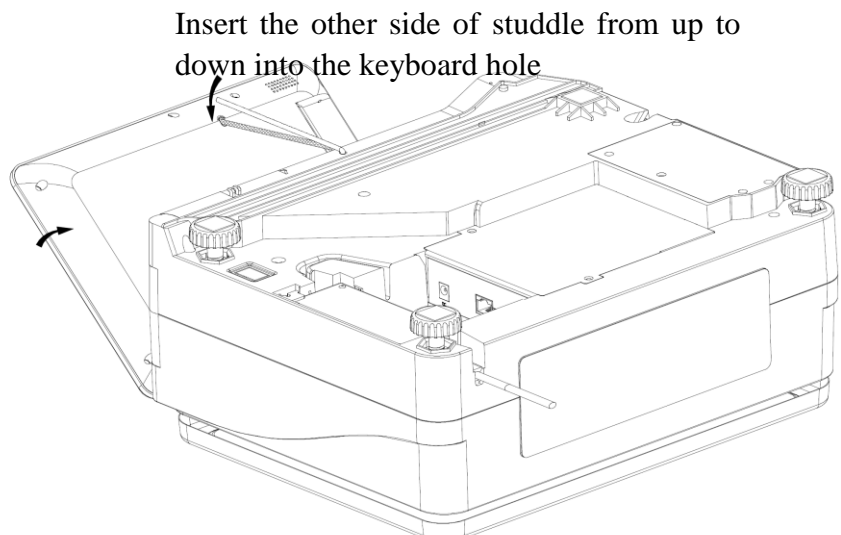


Step 3: Rotate the studdle of 90° to the direction to the keyboard, and the A side of the studdle can insert into the hole of the lower cover of the scale completely (refer to the figure on the right);



Step 4: Press the keyboard up to be higher than the bottom of the scale, and insert the other side of the studdle from up to down into the keyboard module hole (refer to the figure on the right).

Note: you can rotate the straight side of studdle to lock it of the bottom of the lower cover.



4. Basic Operation

4.1. Power On and Power Off

Power On:

Press and hold the power button  for 3 seconds to power on the machine.


Power Off:

Note: In order to prolong the lifetime of the machine, use the Soft-Off method to shut down the machine is recommended.

Soft-Off:

Click the number under 'Weight', 'Price' and 'Total' successively to enter into the setting interface, and then click 'Power Off' to shut down.

Power off:

When the TCR software reports error and doesn't run, press and hold the power button  for 3 seconds to power off the machine.

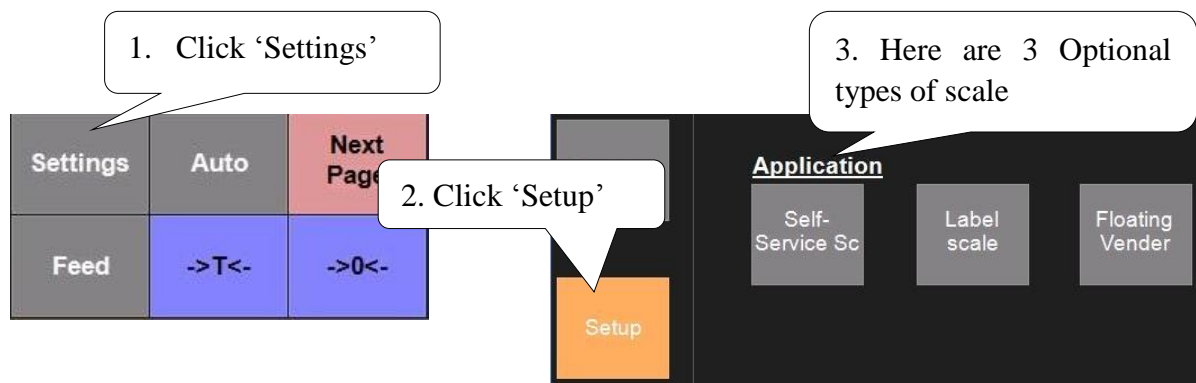
4.2. Scale Mode Switch

TS5X touch scale integrates with label scale, cash register scale and self-service mode operation, customer can switch mode freely and the mode switch can be reached either by software setting or hardware setting.

Changing cartridge holder can switch corresponding scale mode as well. E.g.: if the scale paper is replaced for label paper, scale mode defaults label scale operation.

Software switch:

Click 'Settings' ---- 'Setup' ---- 'Application'. There are such scale types as 'Self-Service Scale' and 'Label scale'.



4.3. Tare Operation

It is only applicable to the commodity packed in package or container such as eggs, beans or fruit, etc.

Sales example: One carton of apples is sold. Assume the weight of carton is 1.000kg. The net weight of apple is 2.000kg and unit price is 6.00\$/kg.

1. Put on the carton, and then press ‘->T<-’ key

OPERATION	KEY	DISPLAY			
		Tare (kg)	Weight(kg)	Unit price(\$/kg)	Total(\$)
1. Put carton weighing 1.000 kg on the scale.		0.000	1.000	0.00	0.00
2. Press ‘->T<-’ key.	->T<-	1.000	0.000	0.00	0.00
3. Put apples weighting 2.000kg on the scale.		1.000	2.000	0.00	0.00
4. Press the picture of apple.	Apple	1.000	2.000	6.00	12.00
5. After taking away this carton of apples, press ‘->T<-’ key to cancel tare.	->T<-	0.000	0.000	0.00	0.00

2. Input the tare value, and then press ‘->T<-’ key

OPERATION	KEY	DISPLAY			
		Tare (kg)	Weight(kg)	Unit price(\$/kg)	Total(\$)
1. Input the tare value.	1000	0.000	0.000	0.00	0.00
2. Press ‘->T<-’ key.	->T<-	1.000	0.000	0.00	0.00
3. Put apples weighting 2.000kg on the scale.		1.000	2.000	0.00	0.00
4. Press the picture of apple.	Apple	1.000	2.000	6.00	12.00
5. After taking away this carton of apples, press ‘->T<-’ key to cancel tare.	->T<-	0.000	0.000	0.00	0.00

Note: When inputting tare value, the unit is ‘g’, and the minimum tare value is 0.002kg and display with the times of 0.002g.

3. Presetting tare value

This operation is to preset the tare value of one commodity. The operation step is: click ‘Settings’ on the function screen — ‘Program’ — ‘Plu’— choose the PLU that is to preset tare value — click ‘Edit’—‘Common’—‘Tare’—‘Mode’, then choose ‘Ignore Tare, Weight or Tare Table’.

Note: Steps can be seen in the chapter 5.2.1.1. PLU Setting.

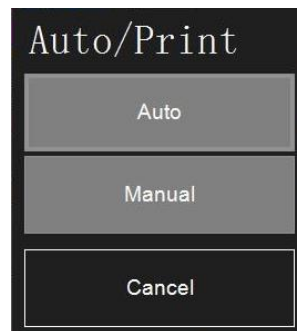
4.4. ‘->0<-’ Operation

Sometimes the display will not show ‘0’ when there is nothing on the scale. Maybe the reason is that the scale loses balance. Besides, for adjusting scale’s balance, please press [->0<-] during selling to return to zero level of weight, which saves time and avoid weight mistakes.

Operating as below: Press the key [->0<-], then the LCD display will show 0.000.

4.5. Auto Print and Manual Print

There are two kinds of printing mode: click ‘Manual (or Auto)’ on the screen, and then can choose Auto or Manual Print.



Auto print: PLU label will be print out automatically when selling.

Manual print: PLU label will be printed out finally by pressing ‘**PRINT**’ key on key board manually.

4.6. Operation of Label Scale

4.6.1. PLU Sales operation

Sales example: Some onions weighing 2.000kg are sold, and price is 0.50\$/kg.
When the scale is in Auto print mode, the operation steps are as following:

OPERATION	KEY	DISPLAY		
		Weight(kg)	Unit price(\$/kg)	Total(\$)
1. Press ‘->0<-’ if the weight is not zero	->0<-	0.000	0.00	0.00
2. Put onion on the tray		2.000	0.00	0.00
3. Click the picture of onion on the screen	Onion	2.000	0.50	1.00
4. The label is printed automatically				

When the scale is in manual print, the operation steps are as following:

OPERATION	KEY	DISPLAY		
		Weight(kg)	Unit price(\$/kg)	Total(\$)
1. Press ‘->0<-’ if the weight is not zero	->0<-	0.000	0.00	0.00
2. Put onion on the tray		2.000	0.00	0.00
3. Click the picture of onion on the screen	Onion	2.000	0.50	1.00
4. Click ‘Print’, and the label is printed	Print	2.000	0.50	1.00

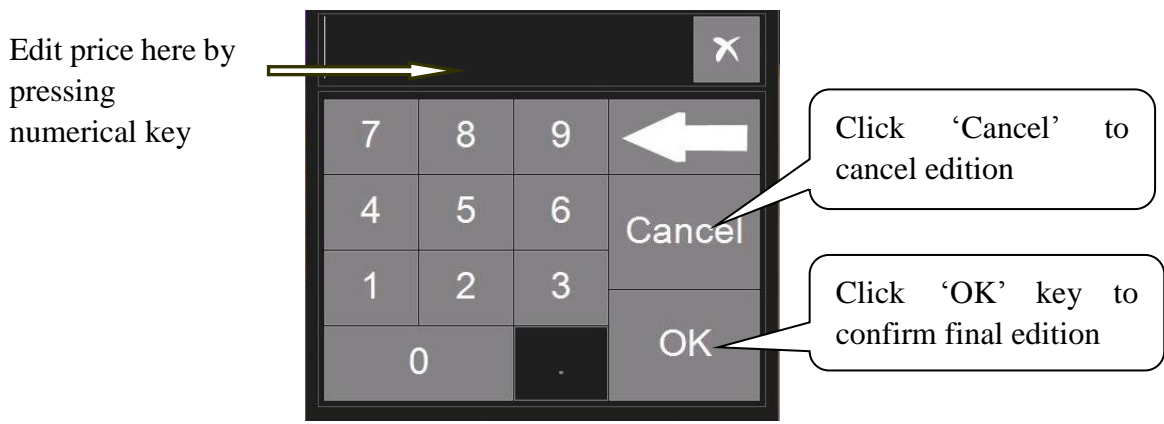
Note: If the label is need to be reprinted, please click ‘Reprint’ key on the functional keyboard screen.

4.6.2. Changing Price

Note: Before operation, please change the print mode as ‘**manual print**’. And this function is for changing price temporally.

Sale example: Assume that 2kg green onion is sold, and the unit price is 0.50\$/kg.

OPERATION	KEY	DISPLAY		
		Weight(kg)	Unit price(\$/kg)	Total(\$)
1.Press ‘->0<-’ if the weight is not zero	->0<-	0.000	0.00	0.00
2.Put onion on the tray		2.000	0.00	0.00
3.Click the picture of onion on the screen	Onion	2.000	0.50	1.00
4.Click ‘Price’ on the screen to change price	Price	2.000	0.50	1.00
5.Click ‘Print’ to print label after changing price	Print			



4.6.3. Item Discount (%) and Item Discount (\$)

Item discount (%):

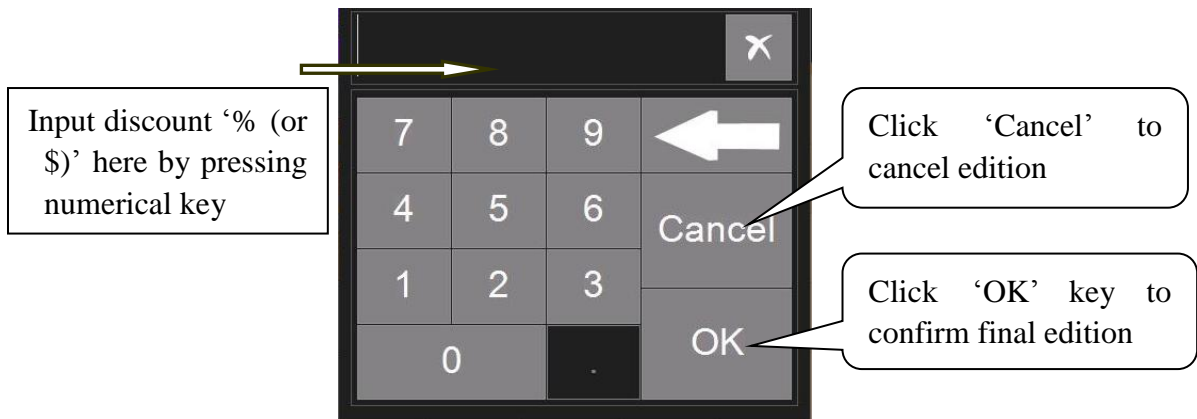
Note: Before operation, please change the print mode as 'manual print'. And this function is for changing price temporarily.

Sales example: Assume that 2kg green onion is sold, and the unit price is 0.50\$/kg.

DISPLAY	KEY	DISPLAY		
		Weight(kg)	Unit price(\$/kg)	Total(\$)
1.Press '->0<-' if the weight is not zero	->0<-	0.000	0.00	0.00
2.Put onion on the tray		2.00	0.00	0.00
3.Click the picture of onion on the screen	Onion	2.000	0.50	1.00
4.Click 'Item discount%' on the functional screen	Item discount%	2.000	0.50	1.00
5.Input discount percentage like below picture				
6.Click 'Print' to print label after changing price	Print			

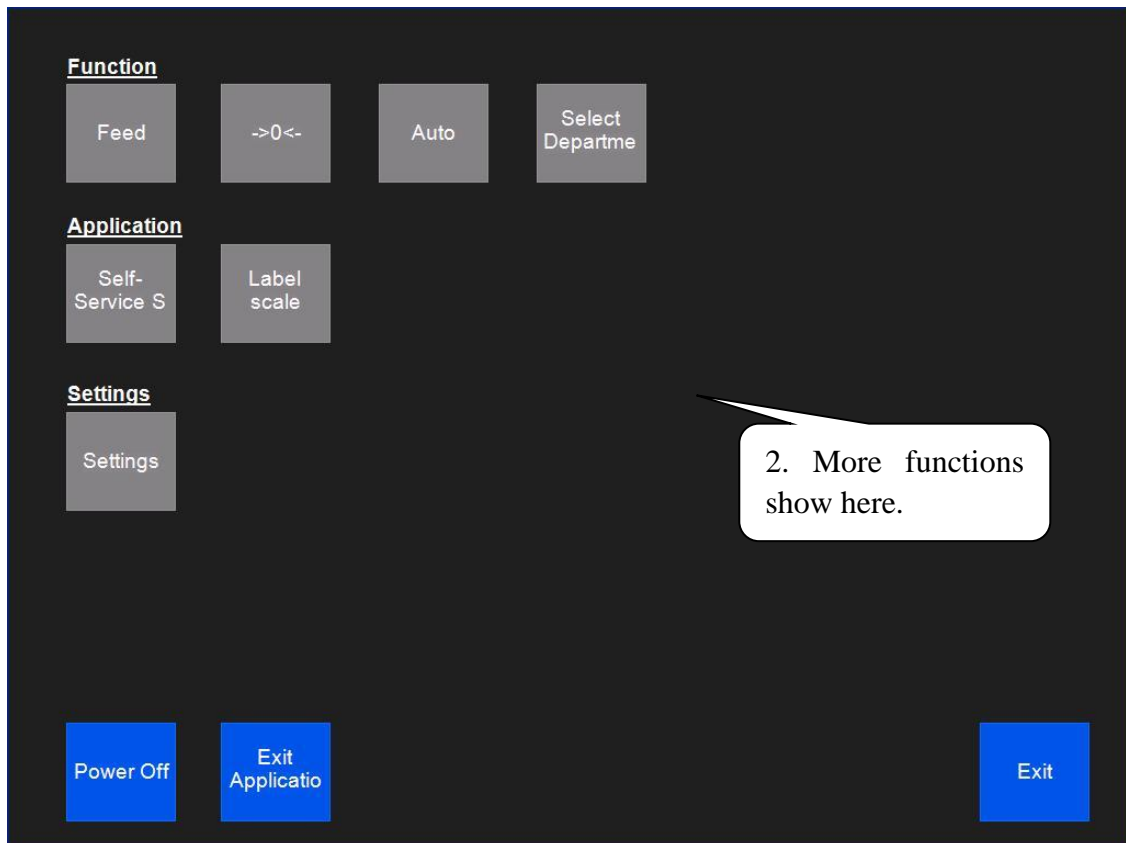
Item discount (\$):

OPERATION	KEY	DISPLAY		
		Weight(kg)	Unit price(\$/kg)	Total(\$)
1.Press '->0<-' if the weight is not zero	->0<-	0.000	0.00	0.00
2.Put onion on the tray		2.000	0.00	0.00
3.Click the picture of onion on the screen	Onion	2.000	0.50	1.00
4.Click 'Item discount\$' on the functional screen	Item discount\$	2.000	0.50	1.00
5.Input discount\$ like below picture				
6.Click 'Print' to print label after changing price	Print			



4.6.4. Other Functions

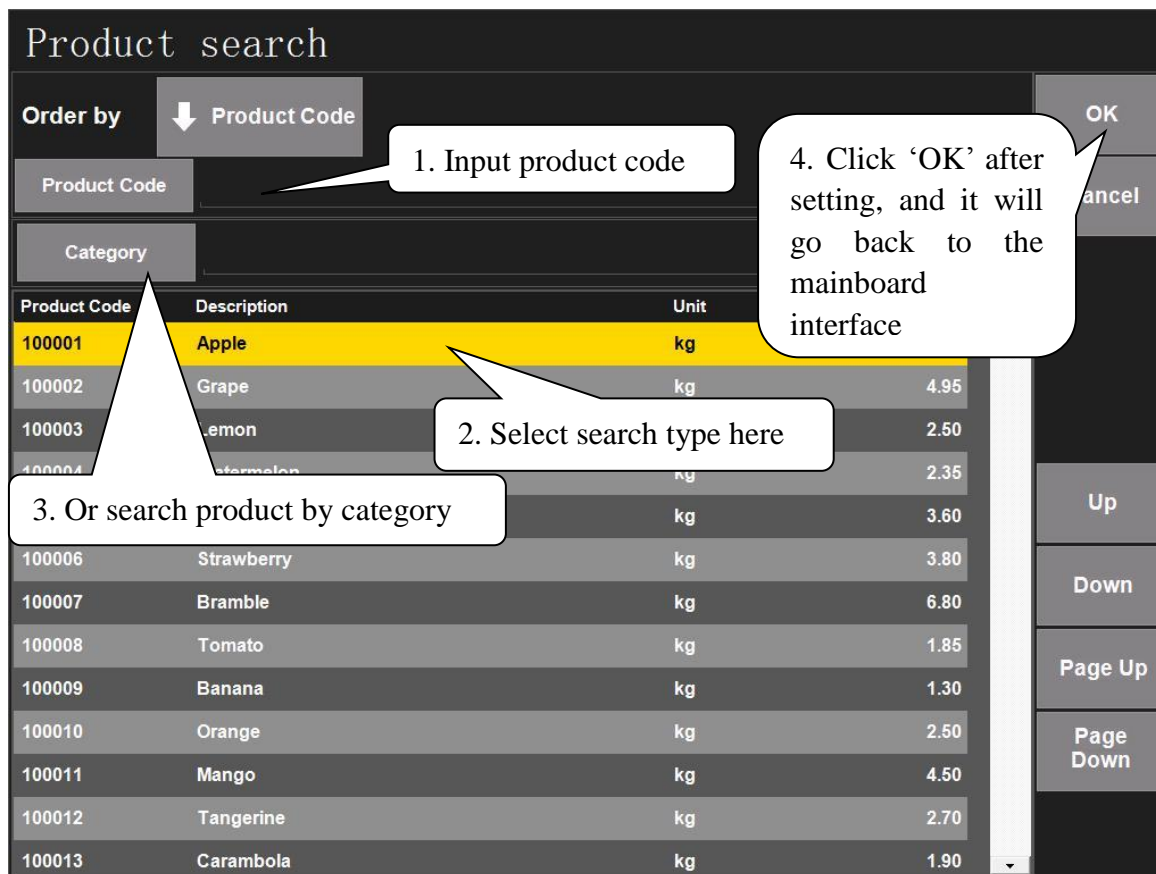
In the mainboard interface, there are other functions, such as Settings, Feed, Auto, ->T<-, ->0<-, Long click to choose tare, 1/2, Target key, Data Change, PLU, Product Search, Plu Fix, Print, etc.



4.6.5. Product Search

This function is for searching product when it is hard to find the PLU in the mainboard interface. Operation steps are as following:

Click 'Product Search' to search product by Product code, barcode or category. Select one product and click 'Stock' in the right corner to search product stock.



4.6.6. 1/2 Price

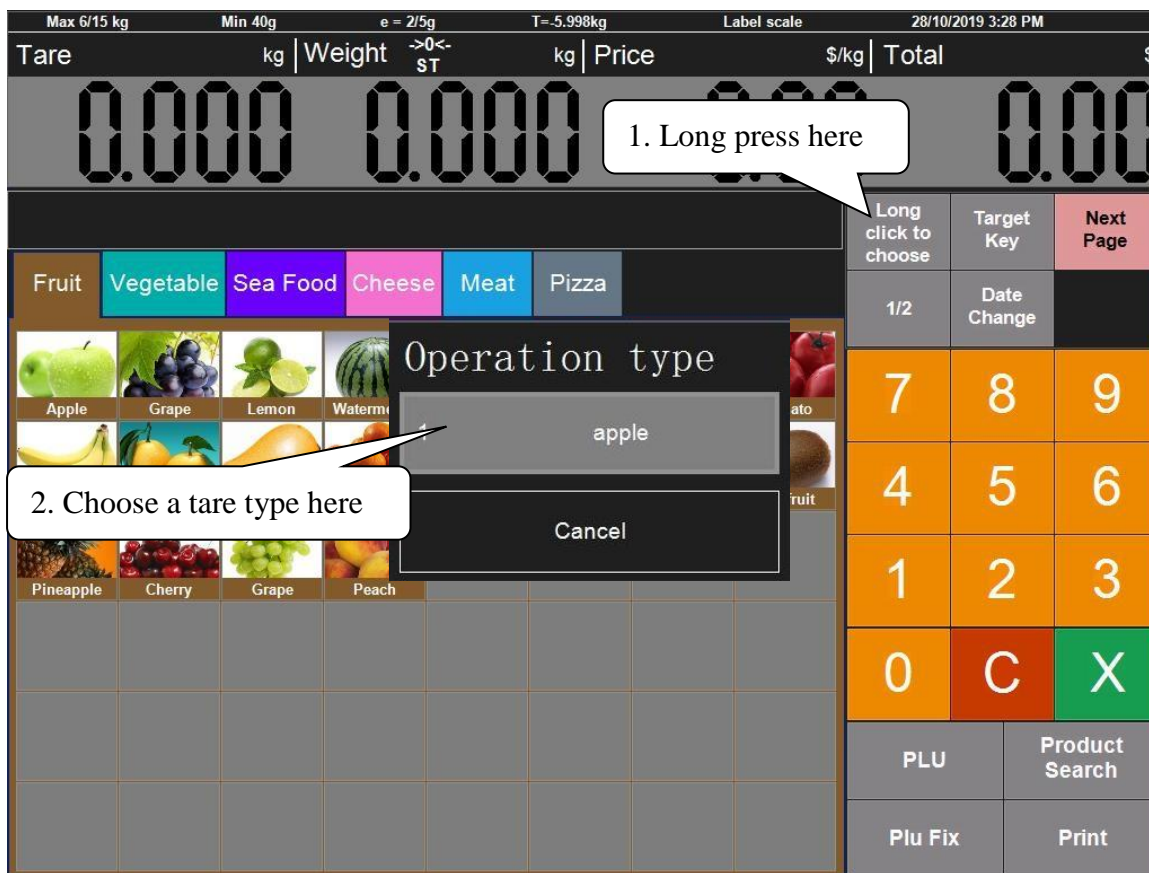
This function is for changing the price as 1/2\$ of the original price.

Sales example: Assume to sell 2kg watermelon, and the unit price is 1\$/kg. Steps are as following:

OPERATION	KEY	DISPLAY		
		Weight(kg)	Unit price(\$/kg)	Total(\$)
1.Press '->0<-' if the weight is not zero	->0<-	0.000	0.00	0.00
2.Put watermelon on the tray		2.000	0.00	0.00
3.Click the picture of watermelon on the screen	Watermelon	2.000	1.00	2.00
4.Click '1/2'	1/2	2.000	0.50	1.00
5.Click 'Print' to print label after changing price	Print	2.000	0.50	1.00

4.6.7. Long Click to Choose Tare

This function is for choosing conveniently a tare type of the product that is on the tray for selling. Operation steps are as following:

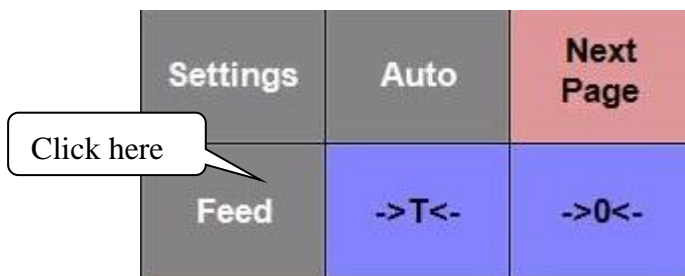


Note:

Before this operation, please preset the tare table, operation steps can see the chapter Tare Edition.

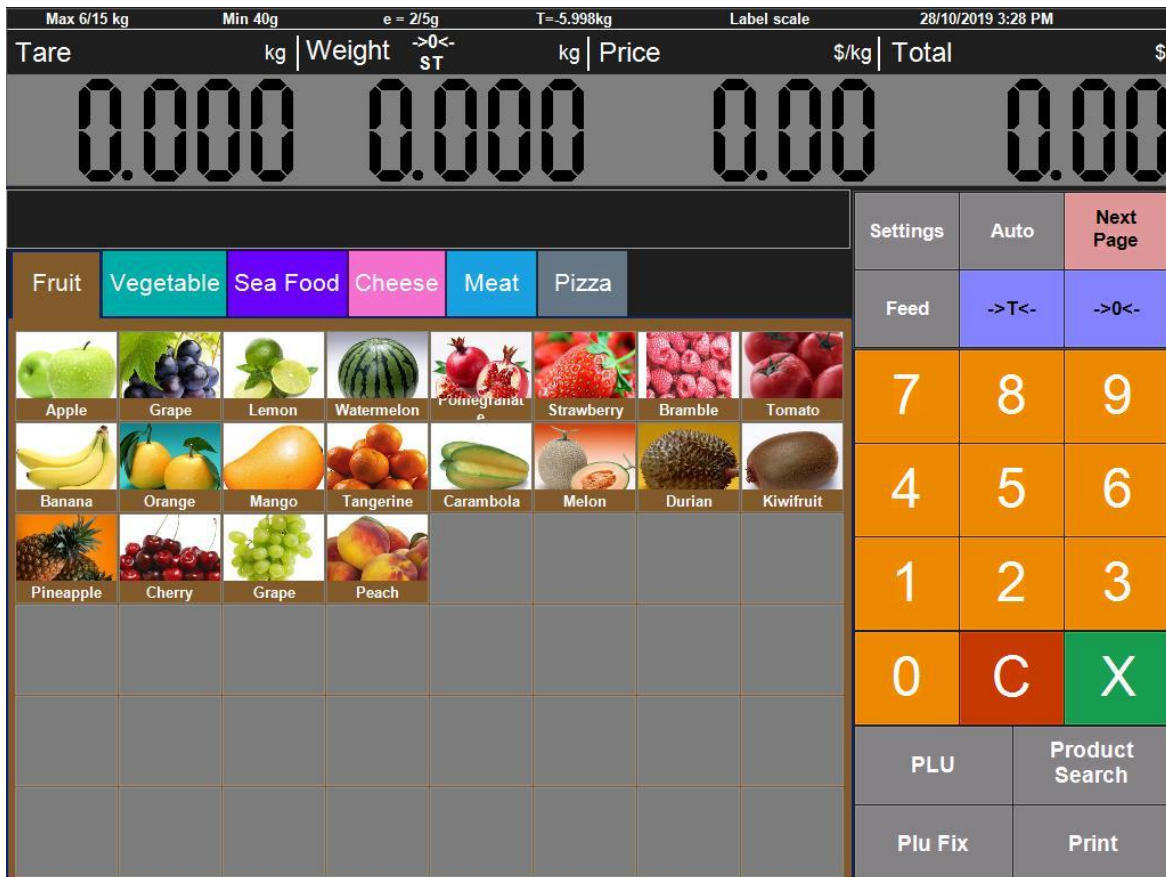
4.6.8. Feed

This function is for adjusting the paper when it feeds abnormally or ectopically. Click 'Feed', and the paper will be adjusted.



4.7. Operation of Floating Vender Mode

Switch the scale mode to Floating Vender Mode according to section 4.2 Scale Mode Switch, and then enter into Floating Vender Mode sale interface. The following picture is the mainboard interface of the Floating Vender Mode:



On the mainboard interface of the floating vender mode, the operation of Auto Feed, $\rightarrow T <$, $\rightarrow 0 <$, Item Discount % and Item Discount \$, Product Search and Screen Capture (see this function after clicking 'Next Page') is the same as the operation label scale.



4.7.1. Sales Operation

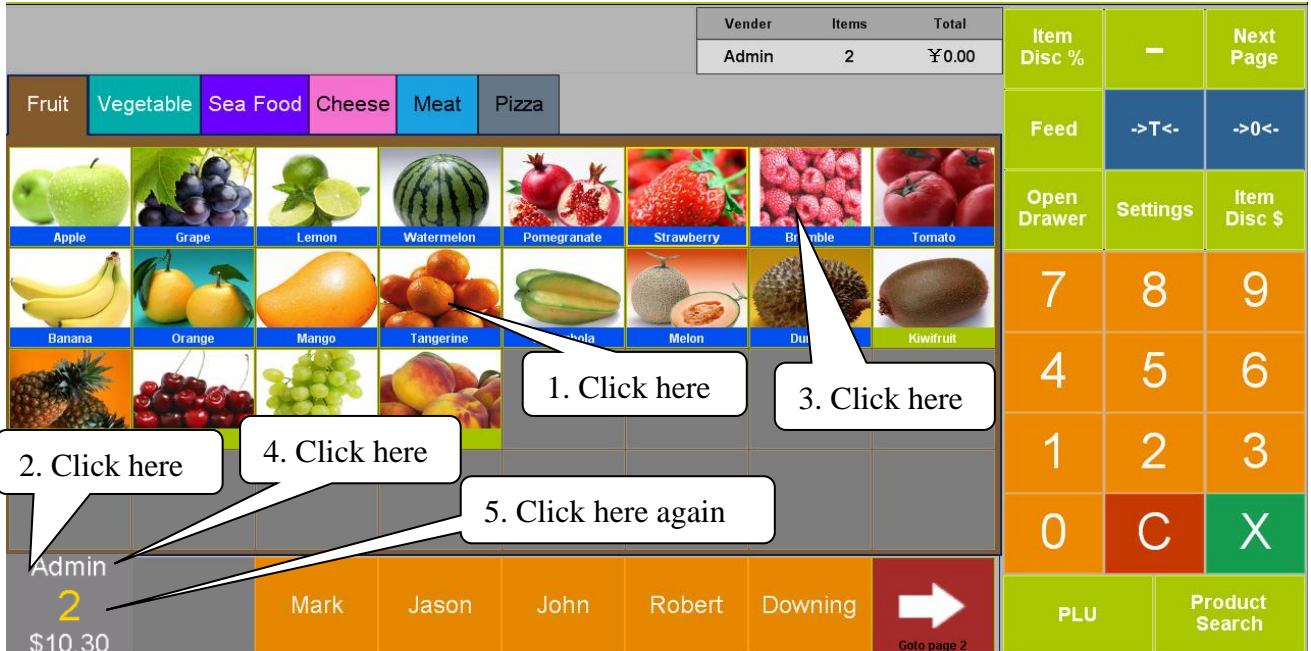
Sales example: Some tangerine weighing 0.998kg and strawberry weighting 2.002kg are sold, and the unit price of tangerine is 2.7 \$/kg , and the unit price of strawberry is 3.8 \$/kg. And the vender is Admin. Sales operation steps are as followings:

4.7.2. Calculate by weight

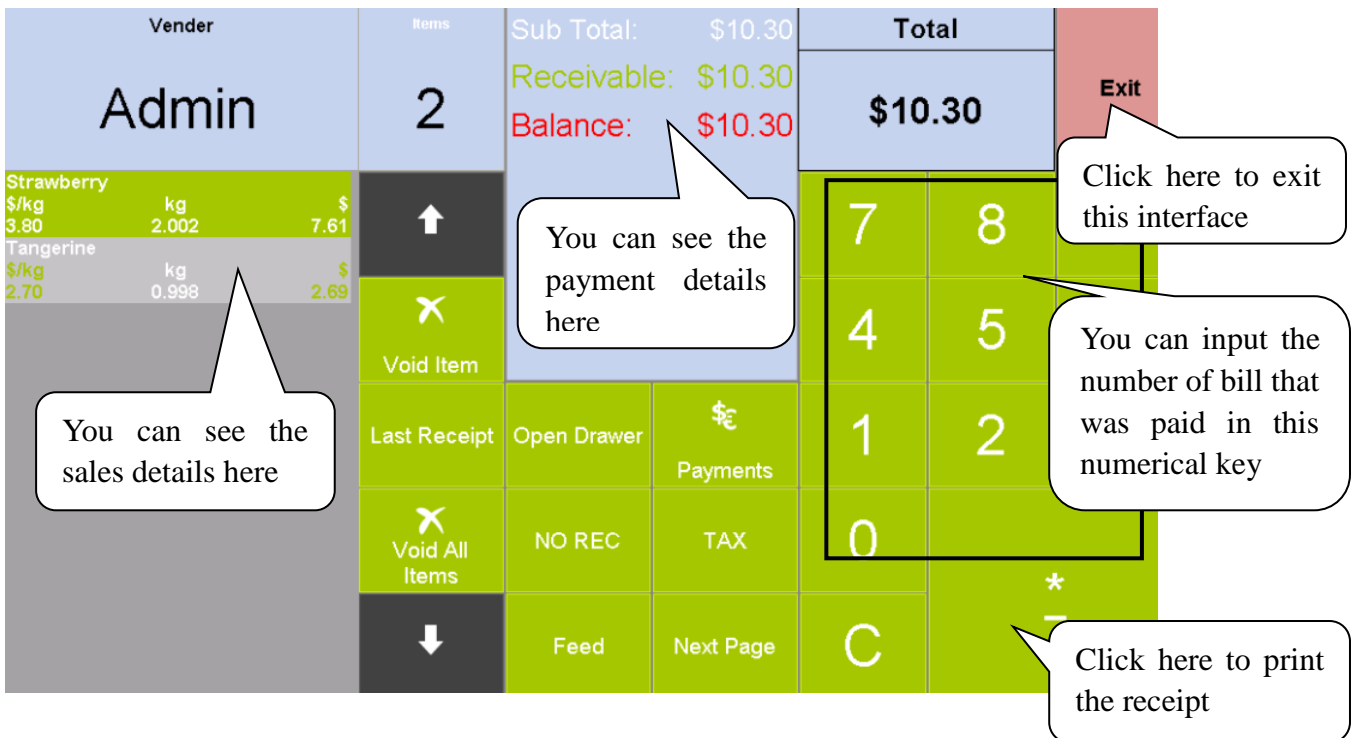
Hot Key Operation:

OPERATION	KEY	DISPLAY		
		Weight(kg)	Unit price(\$/kg)	Total(\$)
1.Press ' $\rightarrow 0 <$ ' if the weight is not zero	$\rightarrow 0 <$	0.000	0.00	0.00
2.Put Tangerine on the tray		0.998	0.00	0.00
3.Input the picture of Tangerine on the screen	Tangerine	0.998	2.70	2.69

4. Click vender 'Admin'	Admin	0.998	0.00	0.00
5. Put Strawberry on the tray		2.002		
6. Input the picture of Strawberry on the screen	Strawberry	2.002	3.80	7.61
7. Click vender 'Admin'	Admin	2.002	0.00	0.00
8. Click vender 'Admin' again	Admin			
9. Click  to print the receipt				10.30



When you click vender 'Admin', the items is added. When you click 'Admin' again after all the items are added, the system will switch to the interface of setting accounts. As shown in the following picture:



Void item: Choose one item and click ‘Void Item’ can delete one item from the receipt;

Void All Items: Click ‘Void All Items’ can cancel a receipt before settling account;

Last Receipt: Click ‘Last Receipt’ can reprint the last receipt;

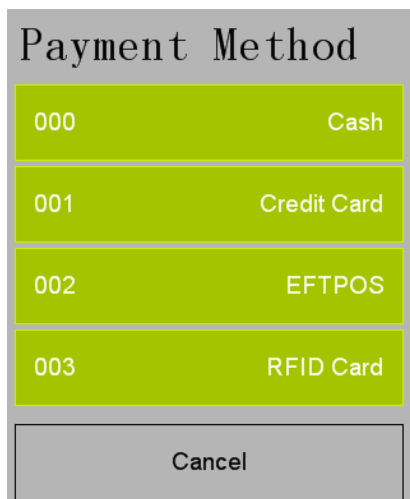
Open Drawer: After inputting the number of bill that was paid, click ‘Open Drawer’ to open drawer and change;


NO REC: Click ‘NO REC’ means not to print the receipt;

Feed: When the paper feeds abnormally or ectopically, click ‘Feed’ can adjust the paper;

TAX: Click here to enable tax status;

Payment: Click ‘Payment’ to switch the payment method, there are such payment method as ‘Cash’, ‘Credit Card’, ‘EFTPOS’, ‘RFID Card’. As shown in the following picture:



: Click this key to print the receipt

```

Shop Name:
Device SN:
#DYMR14102000002      Cashier:Admin
Date:2014-10-20      Time:11:39
Name      Discou  元/个      个 Amoun
              元/千克      千克
-----
Strawberry      3.80  2.002  7.61
Tangerine      2.70  0.998  2.69
-----
Items(2)              Sub Total:$10.30
Receivable:          $10.30
Cash                 $10.30
    
```

```



Sub Total:
$10.30
Receivable:
$10.30
Paid:
$10.30
Change:
$0.00
    
```

Fresh Code Operation:

This method is for selling cargoes without PLU picture on touch screen and need to sell this cargo by inputting corresponding FRESH CODE.

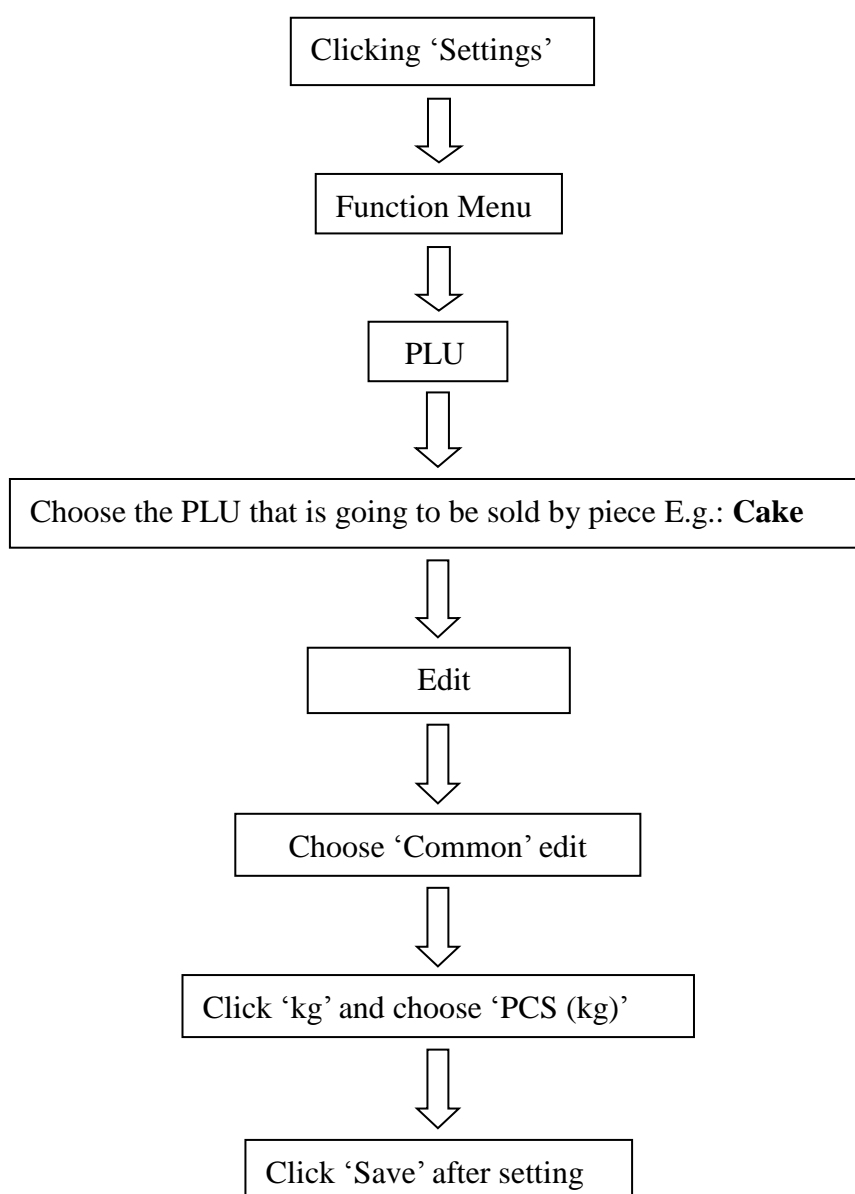
Sales example: Some tangerine weighing 0.998kg and strawberry weighting 2.002kg are sold, and the unit price of tangerine is 2.7 \$/kg , and the unit price of strawberry is 3.8 \$/kg. The fresh code of tangerine is 100012, and the fresh code of strawberry is 100006. The vender is Admin. Steps are as following:

OPERATION	KEY	DISPLAY		
		Weight(kg)	Unit price(\$/kg)	Total(\$)
1.Press ‘->0<-’ if the weight is not zero	->0<-	0.000	0.00	0.00
2.Put Tangerine on the tray		0.998	0.00	0.00

3.Input fresh code of Tangerine 100012 on the screen	100012	0.998	2.70	2.69
4.Click vender 'Admin'	Admin	0.998	0.00	0.00
5.Put Strawberry on the tray		2.002		
6.Input fresh code of Strawberry 100006 on the screen	100006	2.002	3.80	7.61
7.Click vender 'Admin'	Admin	2.002	0.00	0.00
8.Click vender 'Admin' again	Admin			
9.Click  to print the receipt				10.30

4.7.3. Calculate by Piece

First, please set the unit as 'PCS' as following steps:



METHOD 1: Hotkey Operation Steps

Sales example: Ten pieces of cake are sold. The hotkey of cake is 05. The unit price is \$3/PCS(kg).

OPERATION	KEY	DISPLAY			REMARK
		PCS	Unit price	Total	
1. Input the number of the commodity through numerical keyboard. For example 10 pieces		0	0.00	0.00	The unit must be PCS.
2. Press 'X' key	'X'	0.000	0.00	0.00	
3. Click the picture of cake on the screen	'Cake'	10	3.00	30.00	
4. Press accumulation vender for example: Admin	'Admin'	10	3.00	30.00	
5. Press accumulation vender 'Admin' again	'Admin'				
6. Press key to print receipt		10	3.00	30.00	

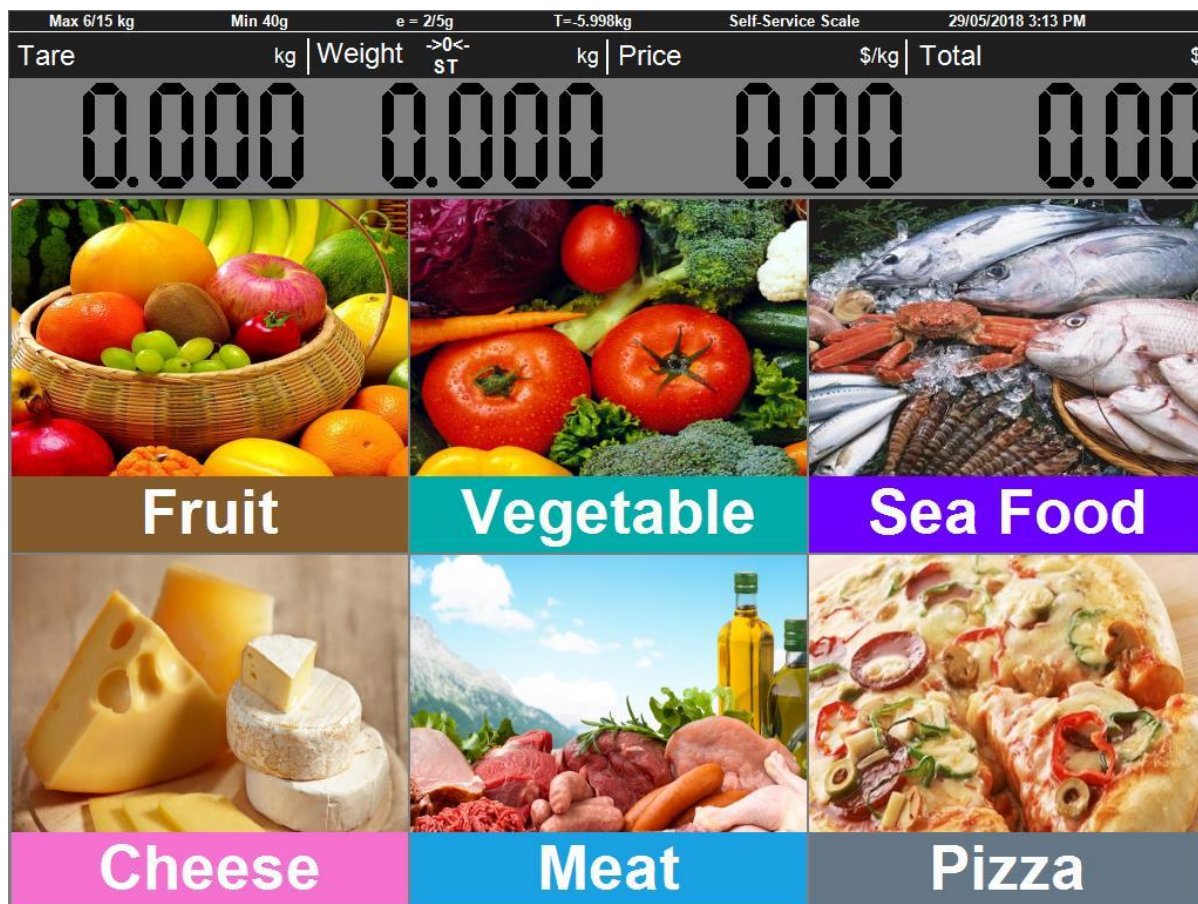
METHOD 2: General sales steps by inputting FRESH CODE.

Sales example: Ten pieces of cakes are sold and the FRESH CODE of the cake is 12. The unit price is \$3/PCS(kg). This case is for selling cargo without PLU picture on touch screen and need to sell this cargo by inputting corresponding FRESH CODE.

OPERATION	KEY	DISPLAY			REMARK
		PCS	Unit price	Total	
1. Input the number of the Cake 10 through small keyboard		0.000	0.10	0.10	The unit must be PCS.
2. Press 'X' key		0.000	0.00	0.00	
3. Press key and input FRESH CODE of the cake 12	12		3.00		
4. Press 'OK' after inputting					
5. Press accumulation vender for example: Admin		10	3.00	30.00	
6. Press accumulation vender 'Admin' again					
7. Press key to print receipt		10	3.00	30.00	

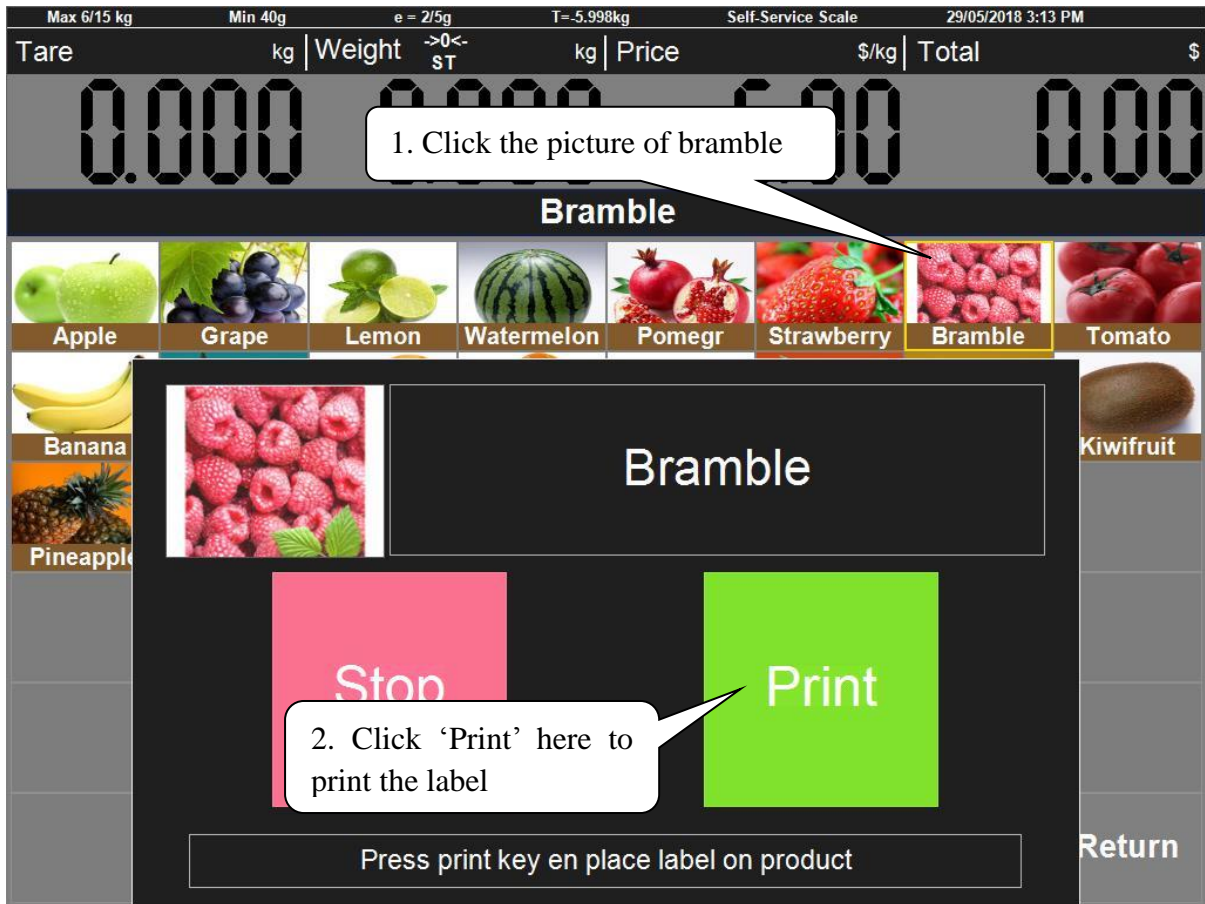
4.8. Operation of Self-Service Scale

Switch the scale mode to Self-Service Scale according to section 4.2 Scale Mode Switch, and then enter into Self-Service Scale sale interface. The following picture is the mainboard interface of the Self-Service Scale:



Put item on the pan, take bramble as an example:

Put the bramble on the pan, and find the category of bramble—Fruit. Clicks 'Fruit' and find bramble, click it, then the system will show the interface as below:

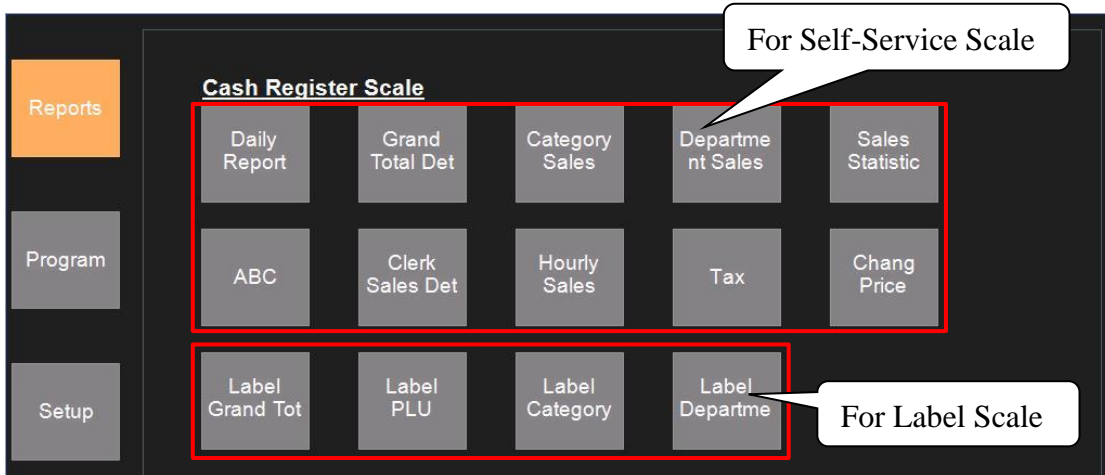


Several seconds later the system will return back to category automatically.

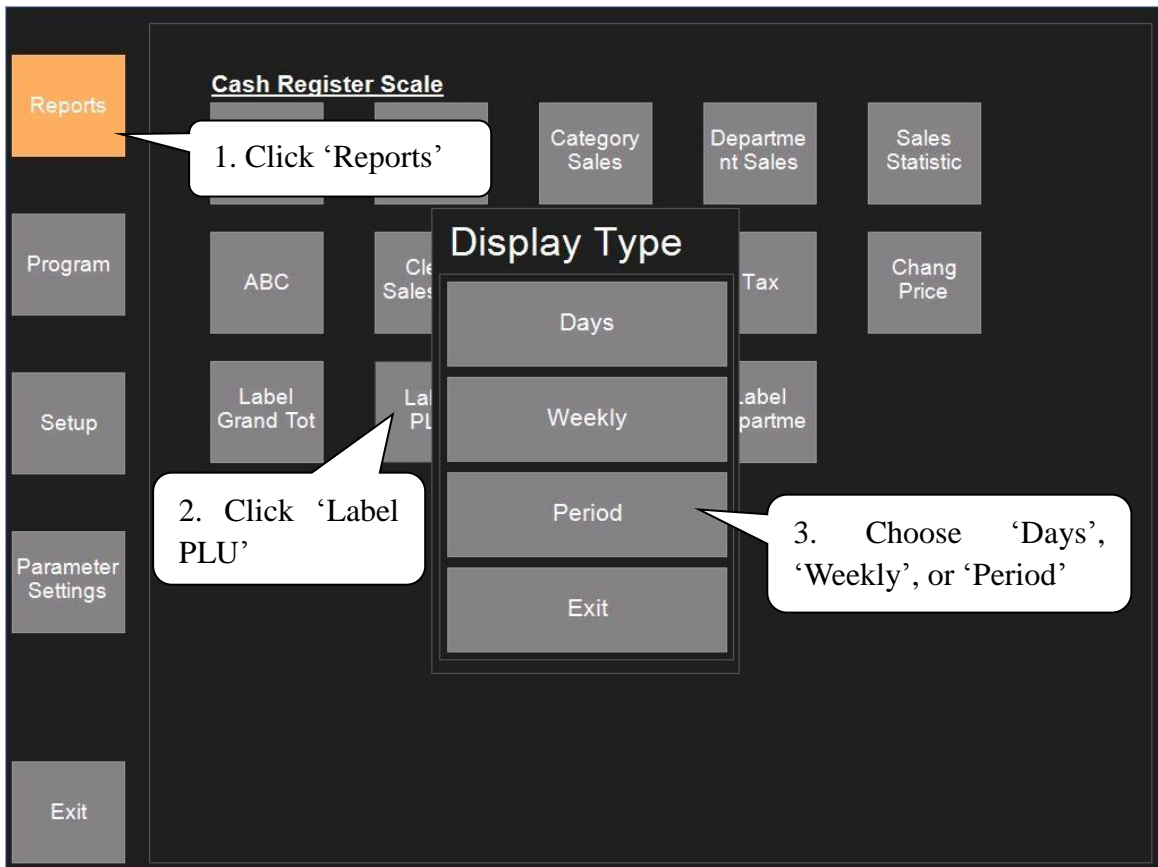
5. System Settings

5.1. Report

Click 'Settings'—'Report' to enter into Report interface as following picture shows, which 'Daily Report', 'Grand Total Det', 'Category Sales', 'Department Sales', 'Sales Statistic', 'ABC', 'Clerk Sales Det', 'Hourly Sales', 'Tax', 'Chang Price', 'Label Grand Total', 'Label Department' and 'Label PLU' can be printed. The steps of printing these reports are the same, so here is going to describe the steps of 'Label PLU', and others can take it as reference.



Click 'Settings'—'Report'—'Label PLU', input the date of sales, the category, product code and the cashier of the items, the report can be searched, printed view, and printed. You can also export the data from scale to PC, you can send email either.



Label PLU

Weekly ending 28/10/2019

Barcode		
Description		
Qty		
Weight	7.024kg	
Amt		\$28.11

Barcode	100002	
Description	Grape	
Qty	0	
Weight	13.442kg	
Amt		\$66.56

Barcode	100003	
Description	Lemon	
Qty	0	
Weight	2.544kg	
Amt		\$6.37

Barcode	100004	
Description	Watermelon	
Qty	0	
Weight	1.910kg	
Amt		\$4.49

Barcode 100005
Print Time 28/10/2019 4:27 PM

1/7

Weekly

Weekly ending 28/10/2019

Prior Page Search

Page Down Print

4. Choose 'Days' display type

5. Click 'Search' and then print the Label PLU report here

Exit

5.2. Program

Program 1/2

1. Click 'Program' to enter into Program interface

Program

Setup

Parameter Settings

Exit

PLU Related

Plu Tare Ice Content Auxiliary Info Template Auxiliary Info Settings Second Display

Price Related

Tax Discount Schedule

Keyboard Related

Plu Layout

Text Related

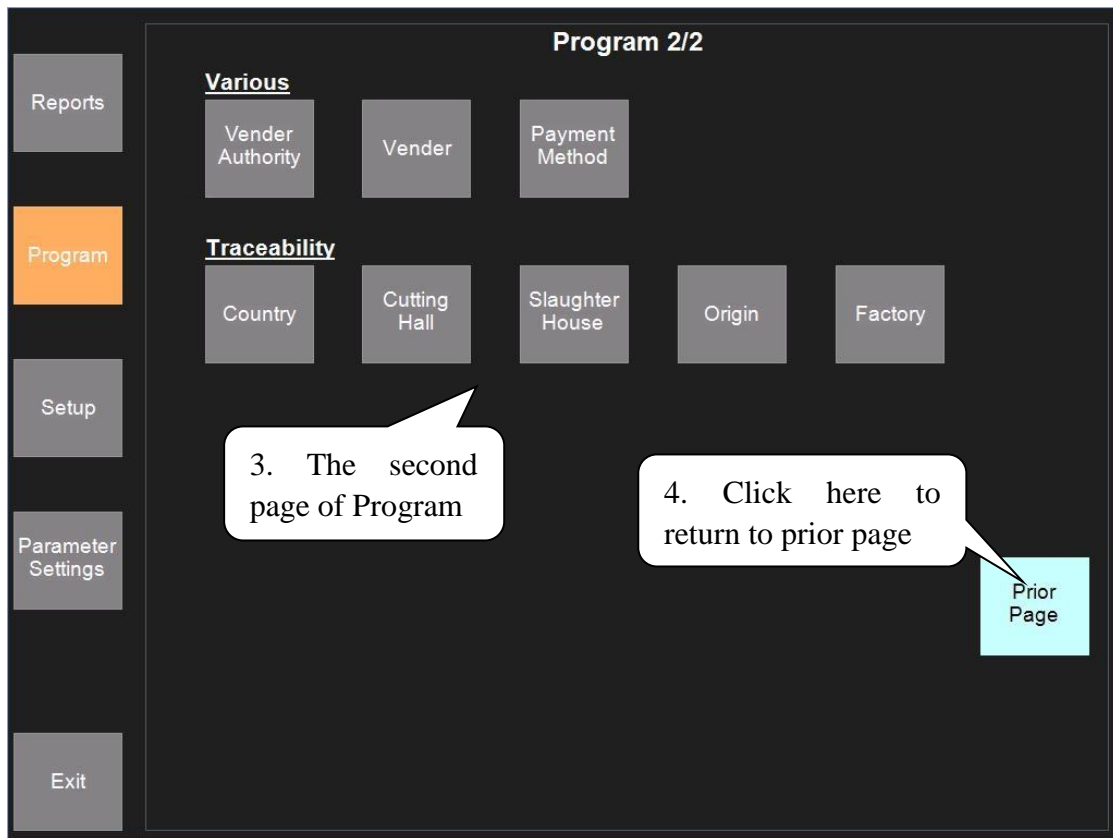
Receipt Head And Foot Report Head And Foot

Various

Date & Time Category Department

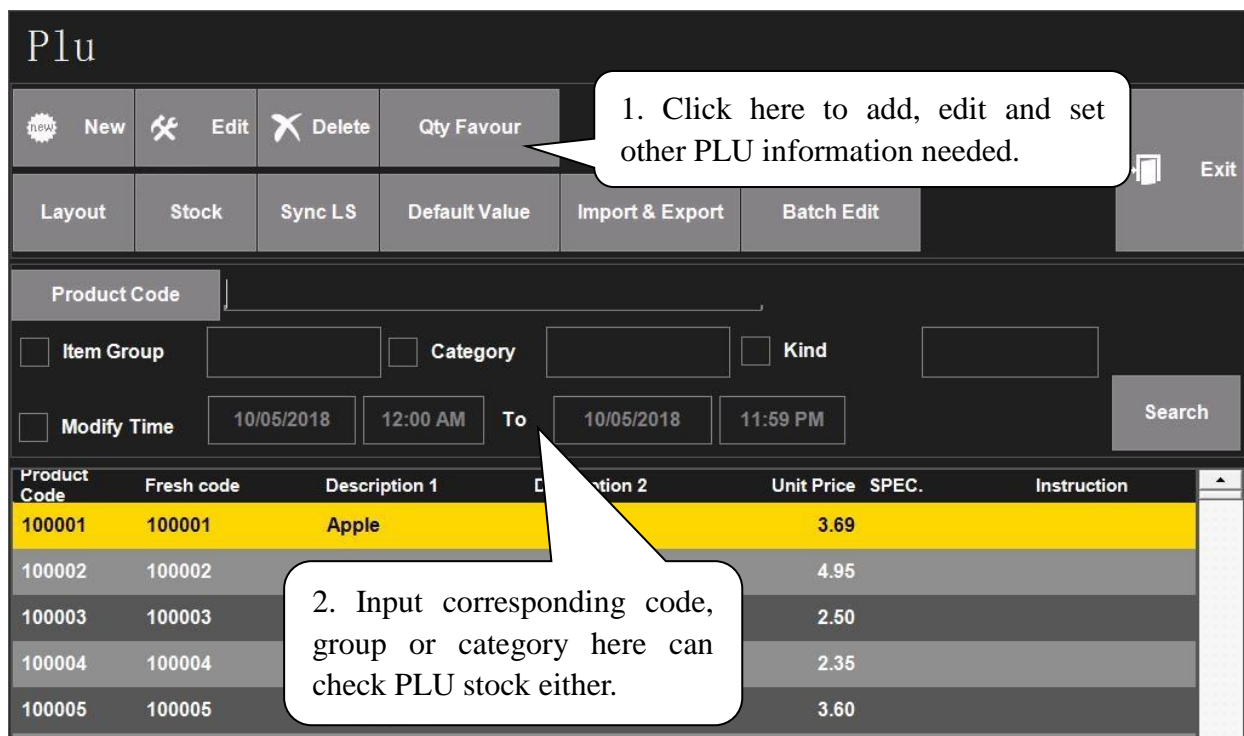
2. Click 'Next Page' to show other functions

Next Page



5.2.1. PLU Related

5.2.1.1. PLU Setting



Plu

Common | Content | Discount | Nutrition Template | View

1. Click 'Common'

3. Set PLU other information here

2. Set Category, PLU Unit, barcode, Product Code, etc. in this interface

Common
 Fresh code
 Product Code
 Category: Fruit
 Description 1: Apple
 Description 2
 Description 3
 Unit: kg
 Unit Price: 3.69
 Barcode format 1: 255
 Barcode format 2: 255
 Label No: 1 Common Label
 Aux Labe No
 Hot key name 1
 Hot key name 2
 Hot key name 3

Date Time
 Production date
 Production time
 Packing date and time
 Print
 Use printing label time
 Limit Price Type: No Price Limit

Package
 Package Type: General

Tare
 Mode: Ignore Tare
 Ice content(%): 1.00
 Lost Weight(%): 0.00

Shelf life count by day
 Shelf life count by hour
 Fresh dates
 Print
 Base on Production da
 Last fresh days: 0
 Guarantee period
 Print
 Base on Production da

First | Prior | Next | Last | Copy | Edit text format | Save | CAN CEL

Plu

Common | Content | Discount | Nutrition Template | View

4. In Common interface, click here under 'Tare'

5. Select tare mode of PLU

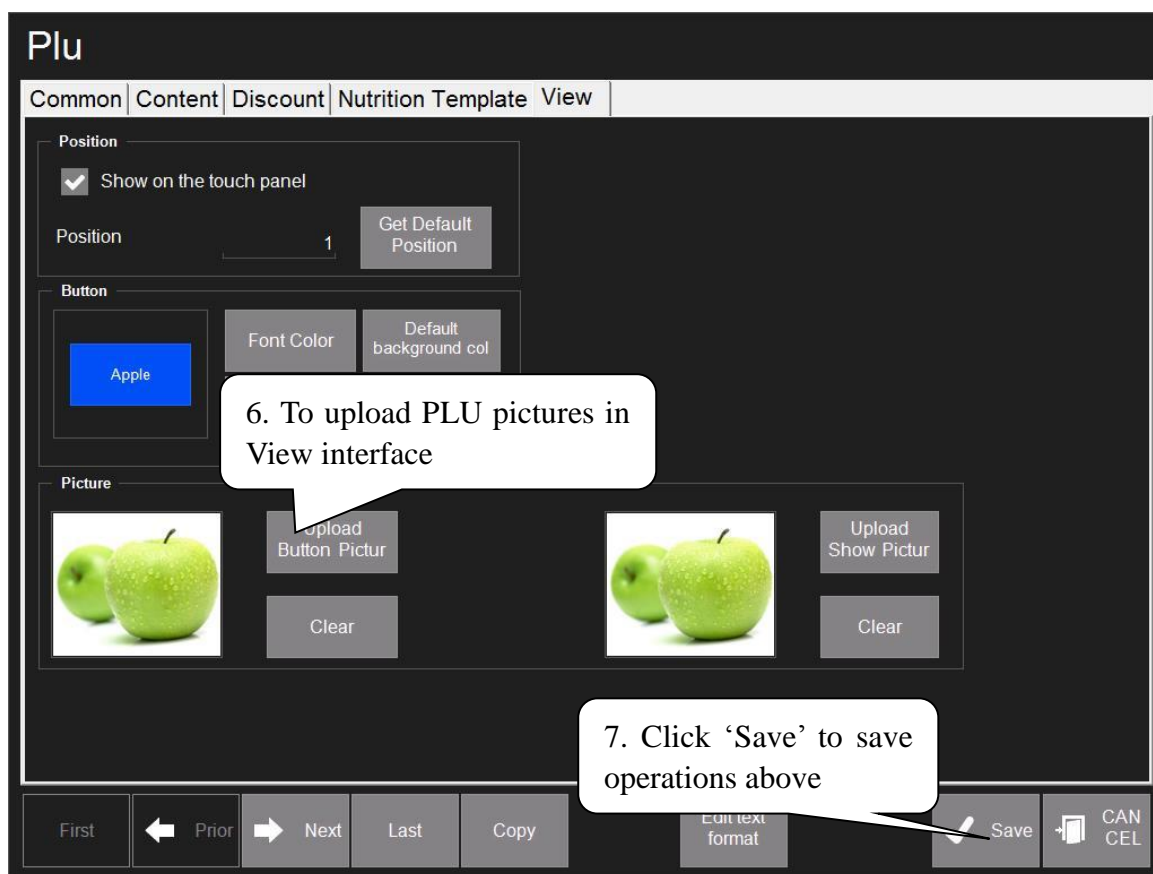
Common
 Fresh code: 100001
 Product Code: 100001
 Category: Fruit
 Description 1: Apple
 Description 2
 Description 3
 Unit: kg
 Unit Price: 3.69
 Barcode format 1: 255
 Barcode format 2: 255
 Aux Labe No
 Hot key name 1
 Hot key name 2
 Hot key name 3

Date Time
 Production date and time
 Print
 Use printing label time
 Production date
 Price Limit
 Allow Changing Price
 Limit Price Type: No Price Limit

Select tare mode
 Ignore Tare
 Weight
 Tare Table
 CANCEL

Tare
 Mode: Ignore Tare
 Ice content(%): 1.00
 Lost Weight(%): 0.00

First | Prior | Next | Last | Copy | Edit text format | Save | CAN CEL



5.2.1.2. Gift Baskets Function

Gift baskets function is usually used in the aspect, such as pack gift-box and fruit-dish. Set a hotkey as 'gift baskets' first on the scale.

1. Open PLU Setting, add one PLU as the 'gift basket' named 'Gift Basket' first:
2. Set the unit price as 0; set the package type as 'Fixed Weight and Price'; set the package weight as 0.000. For example: Package a fruit-dish (apple, grape and orange):

PLU name: Apple weight unit: kg unit price: 10.00 \$/kg

PLU name: Orange weight unit: kg unit price: 4.00 \$/kg

PLU name: Grape weight unit: kg unit price: 20.00 \$/kg

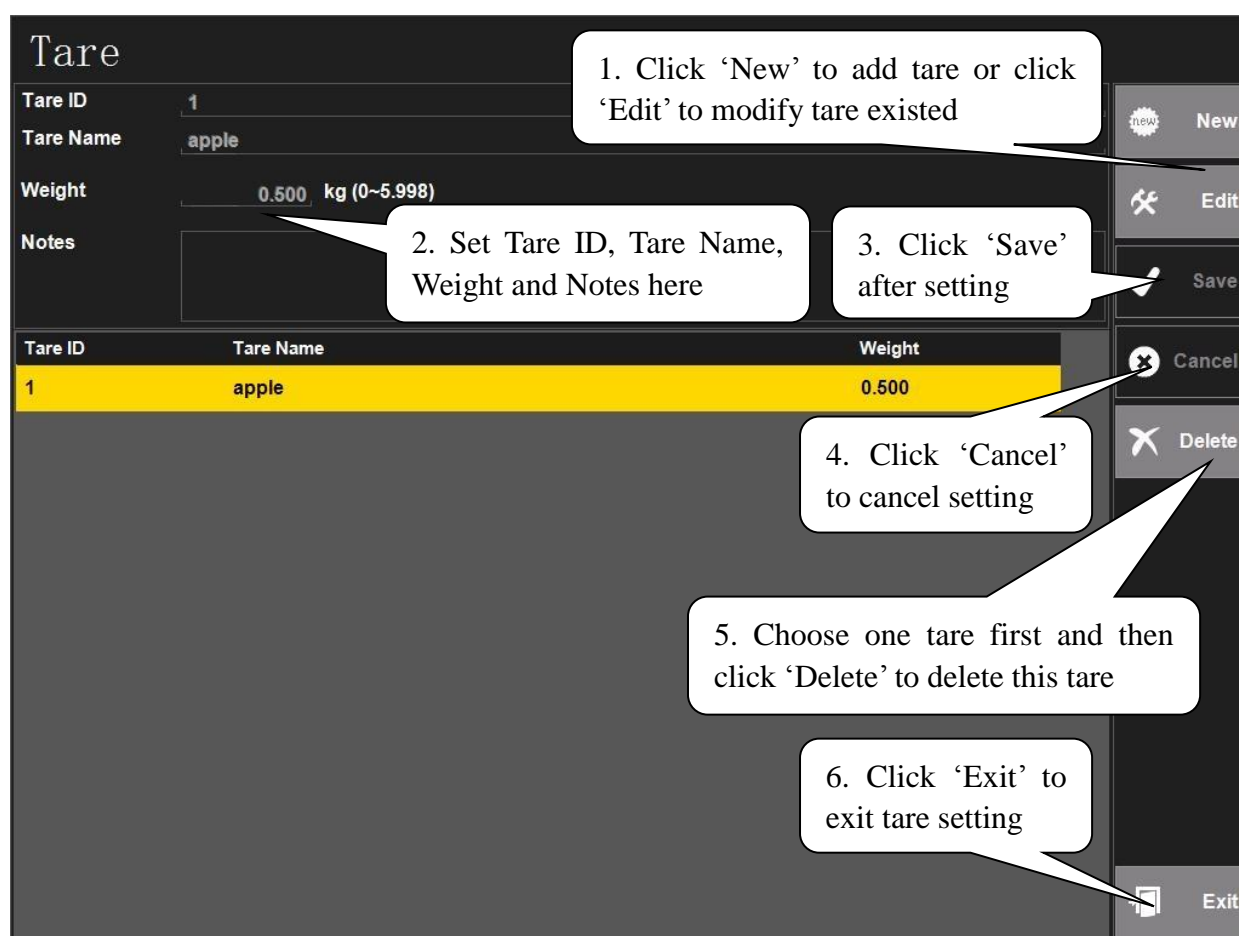
Suppose each of the three fruits is 1.000 kg. The operation shows as below:

OPERATION	KEY	DISPLAY			REMARK
		Weight(kg)	Unit Price(\$/kg)	Total(\$)	
1. Press 'Gift Basket' key	Gift Basket	0.000	0.00	0.00	The system will remind 'Enter gift basket mode'
2. Put the apple on the pan, and press hotkey 'Apple'	Apple	1.000	10.00	10.00	Add item [Apple] to gift basket [Gift Basket]

3. Put the orange on the pan, and press hotkey 'Orange'	Orange	1.000	4.00	4.00	Add item [Orange] to gift basket [Gift Basket]
4. Put the grape on the pan, and press hotkey 'Grape'	Grape	1.000	20.00	20.00	Add item [Grape] to gift basket [Gift Basket]
5. Press 'Gift Basket' key	Gift Basket	0.000	0.00	0.00	Print sum account label

Note: This function can only be used in Label Scale Mode and Self-Service Scale Mode.

5.2.1.3. Tare Setting



Note: the operation of using this tare table can be seen in chapter '4.3 Tare Operation', the third method: 'Presetting tare value'. Or see the chapter '4.6.7 Long Click to Choose Tare' as for reference.

5.2.1.4. Ice Content

The screenshot shows the 'Ice Content' interface with the following callouts:

1. Click 'New' to add ice content or click 'Edit' to modify ice content existed
2. Set Ice ID, Ice Name and Notes here
3. Click 'Save' after setting
4. Click 'Cancel' to cancel setting
5. Choose one ice content first and then click 'Delete' to delete this item
6. Click 'Exit' to exit ice content setting

Ice Id	Ice Name
1	30%

5.2.1.5. Auxiliary Information Setting

This function is for setting Auxiliary Information.

The screenshot shows the 'Program 1/2' interface with the following callout:

Click 'Auxiliary Info Settings' and 'Auxiliary Info Template' for setting

Auxiliary Info Settings

Name	ID	Description
Allergy Adv...	1	Allergy Advice
	2	Template2
	3	Template3
	4	Cooking advice
	5	Template5
	6	Product storage

2. To edit auxiliary information template here

1. Click 'Add Text'

4. Click 'Save' after setting

Text Content: For allergens, including cereals containing gluten, see ingredients in <ESC1>bold<ESC0>. May also contain egg, soya.

5. The information will show here

3. Click here to input auxiliary information

Text Code	Text Content
1	For allergens, including cereals containing gluten, see ingredients in <ESC1>bold<ESC0>. May also contain egg, soya.

Buttons: Edit, Add Text, Delete Text, Save, Cancel, Edit text format, Exit

Auxiliary Info Template

ID	Description
1	Allergy Advice
2	Template2
3	Template3
4	Cooking advice
5	Template5
6	Product storage
7	Template7
8	Template8

Select one template for modifying if needed

Type Id: 1

Type Name: Allergy Advice

Buttons: Edit, Save, Cancel, Exit

5.2.1.6. Second Display

Screen Saver & Customer Display

Screen saver

Show Screen saver

Waiting time s

Enable Screen saver part1 Enable Screen saver part2 Enable Screen saver part3

Output Mod Output Mod Output Mod

Image Slide Image Slide Image Slide

Image Slide Time s

Show Screen Saver After Payment

1. Set screen saver & customer display relevant setting here

2. Click 'Save' after setting

Save Exit

5.2.2. Price Related

5.2.2.1. Tax Setting

Tax

Tax Id Tax Name

Tax Rate %

Tax Id	Tax Name	Tax Rate
0	N/A	0.00

1. Click 'New' to add new tax or click 'Edit' to modify tax existed

2. Edit tax relevant information here

3. Click 'Save' after setting

New Edit Save CANCEL Delete

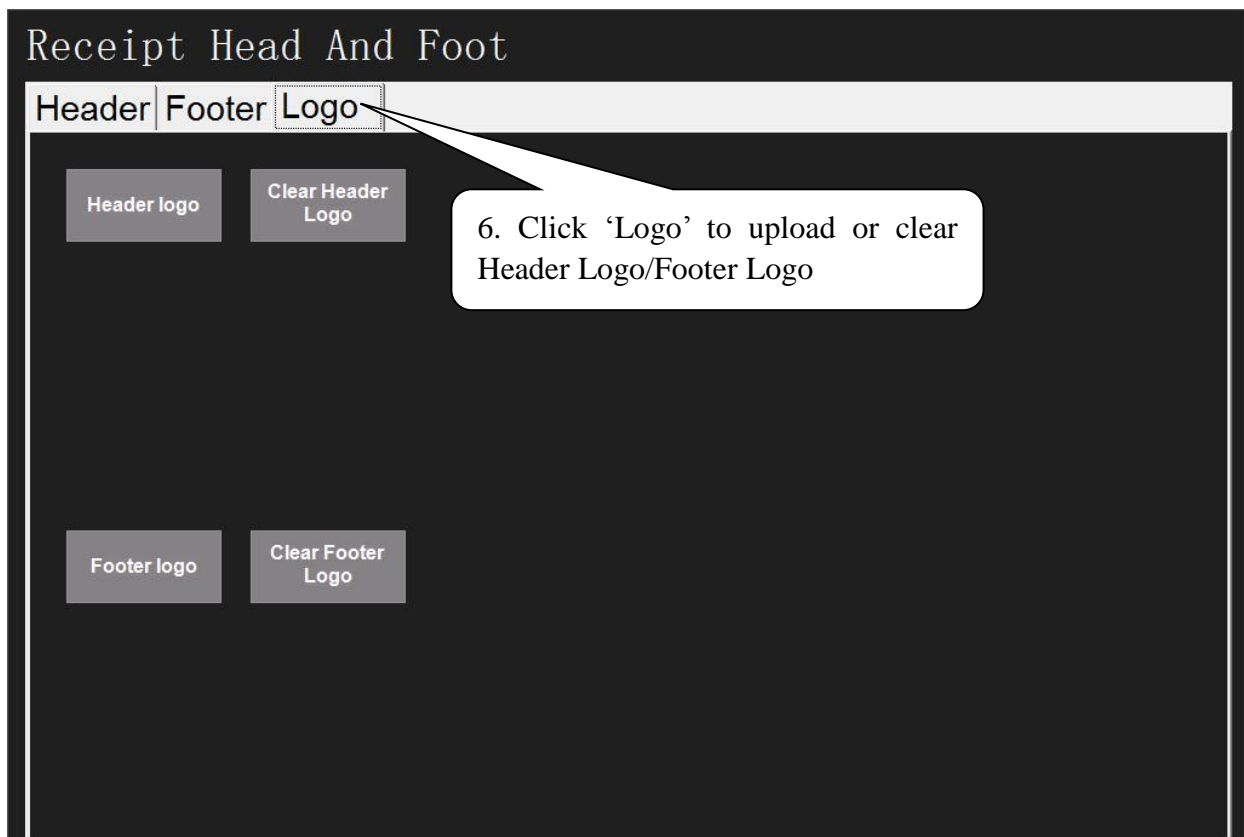
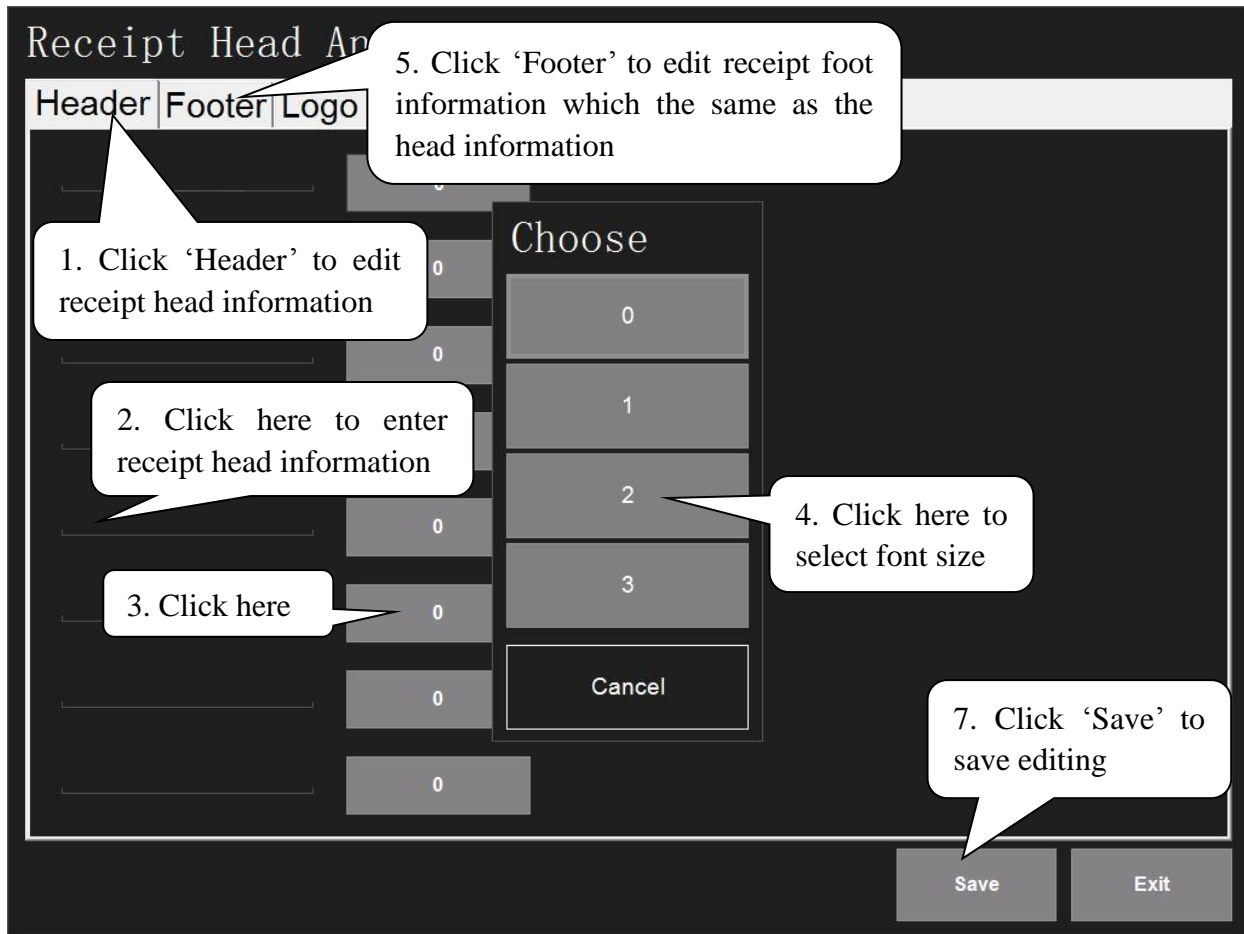
5.2.2.2. Discount Schedule Setting

The screenshot shows the 'Discount Schedule' window. At the top, there is a table with columns 'ID' and 'Description'. The first row has ID '1' and Description 'apple'. A callout '1. Click 'Manage' to add new item' points to the 'Manage' button on the right. Below the table, there are several input fields: 'Used' (checked), 'Discount type' (Price-), 'Discount rate(%)' (0.00), 'Discount amt' (1.00), 'Weight' (checked), 'Min weight' (2.000), 'Date & Time' (checked), 'Begin time' (29/05/2018 2:30 PM), 'End Time' (29/10/2018 2:30 PM), 'Sequential time' (checked), 'Qty' (checked), 'Min. Quantity', and 'Max. Quantity' (0.00). A callout '5. Select item here' points to the 'apple' text in the 'Used' field. A callout '6. Click 'New' to add new discount schedule' points to the 'New' button. A callout '7. Set discount relevant information here' points to the 'Discount rate(%)' and 'Discount amt' fields. A callout '8. Click 'Save' after editing' points to the 'Save' button. At the bottom, there is another table with columns 'ID' and 'Description', with the first row having ID '1' and Description 'apple'. The 'Exit' button is at the bottom right.

The screenshot shows the 'Discount Group' window. At the top, there are input fields for 'Discount Group ID' (1) and 'Discount Name' (apple). A callout '2. Click 'New' or 'Edit' to add/modify new item' points to the 'New' and 'Edit' buttons on the right. Below these fields is a table with columns 'ID' and 'Discount Name'. The first row has ID '1' and Discount Name 'apple'. A callout '3. Edit discount name/ID here' points to the 'apple' text in the 'Discount Name' field. A callout '4. Click 'Save' after editing' points to the 'Save' button. The 'Cancel' and 'Delete' buttons are also visible on the right side.

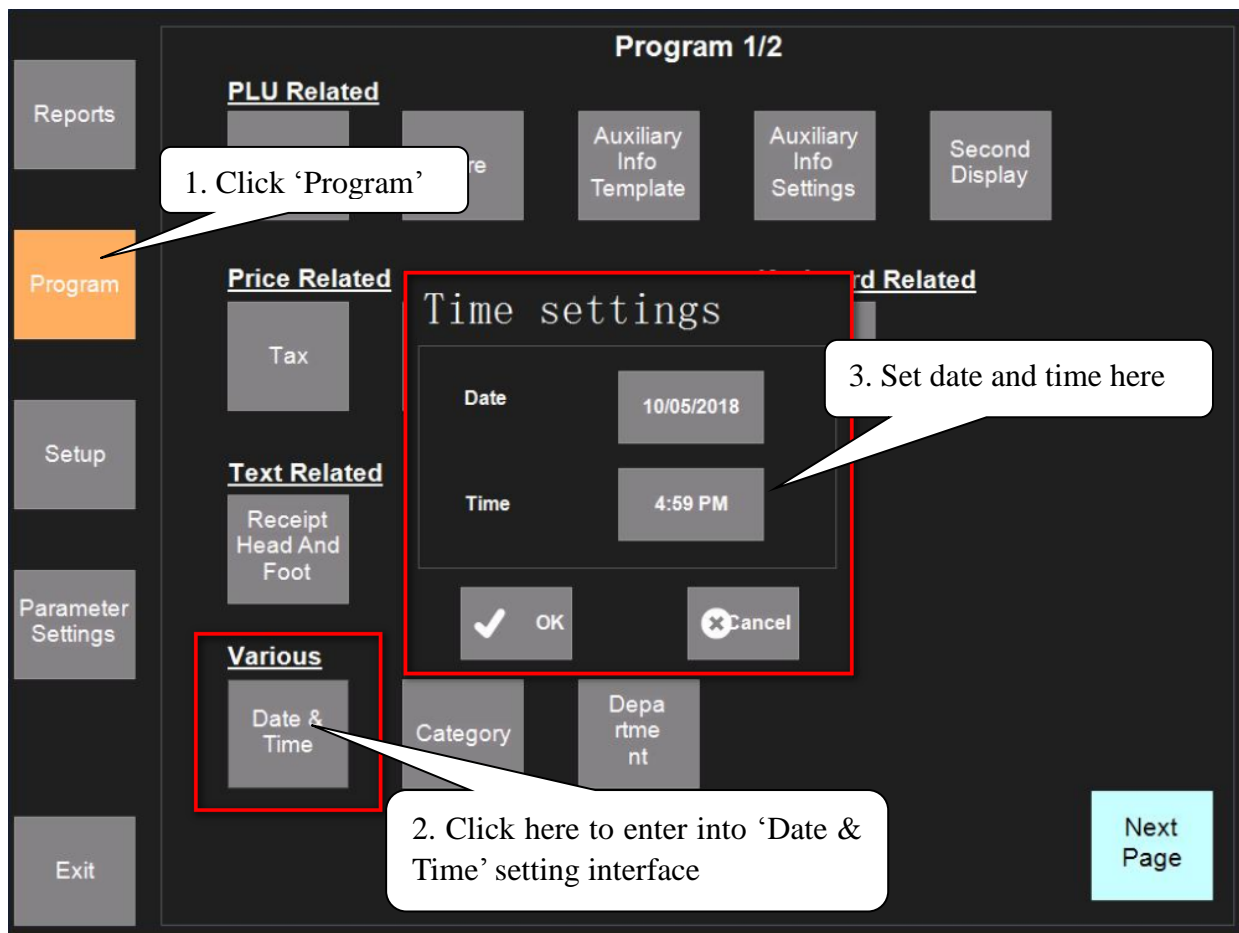
5.2.3. Text Related

5.2.3.1. Receipt Head and Foot Setting



5.2.4. Various

5.2.4.1. Date & Time



5.2.4.2. Category

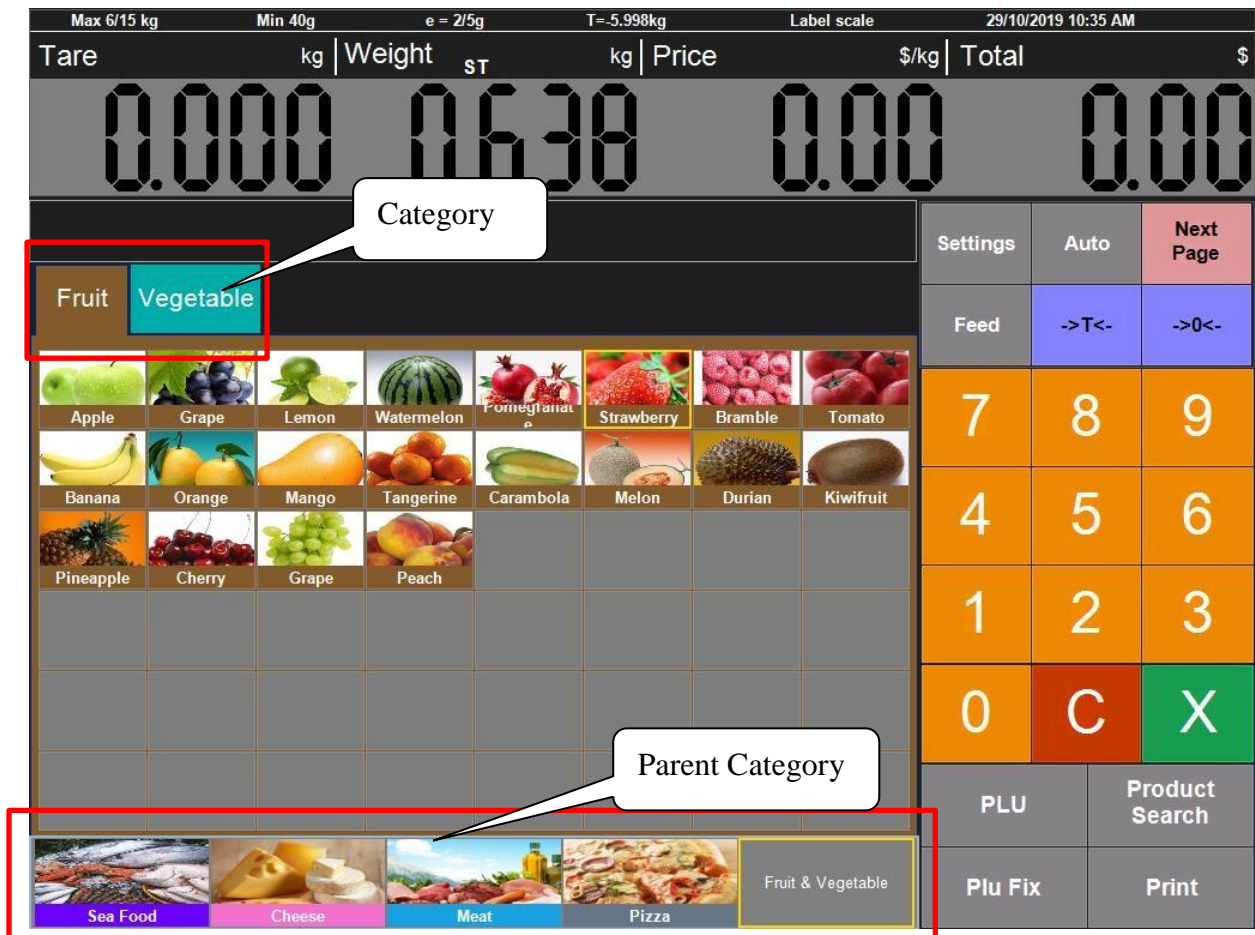
The screenshot shows the 'Category' management screen. At the top, there is a search bar labeled 'Code/Description 1' with a 'Search' button. Below this are two tabs: 'Common' (selected) and 'View Settings'. The 'Common' tab contains several input fields: 'Code' (value: 10), 'Description 1' (value: Fruit), 'Department' (value: Fruit), and 'Parent Category'. A 'Search' button is located to the right of these fields. Below the form is a table with columns 'Code' and 'Description 1'. The table contains two rows: one with code '10' and description 'Fruit', and another with code '11' and description 'Meat'. At the bottom of the screen is a navigation bar with buttons: 'New', 'Edit', 'Delete', 'Save', 'CANCEL', and 'Exit'. On the right side, there are navigation buttons: 'Prior', 'Next', 'Prior Page', and 'Next Page'. There are also date and time fields: 'Create Date' (12/12/2012 12:00 AM) and 'Last Modify Date' (5/11/2018 4:13 PM).

1. Click 'New' for adding category
2. Edit the code, description and other information here
3. Click 'View Settings' can set the color and chapter
4. Choose a category and click here can delete the category
4. Click Save after operation
5. Click Cancel if want to cancel the operation
6. Input the code, description or abbreviation here for searching
7. Click 'Search'
8. Click in this field can roll the option for search
9. Choose the PLU
10. Click 'Edit' for modifying category
11. Click here can import or export the category

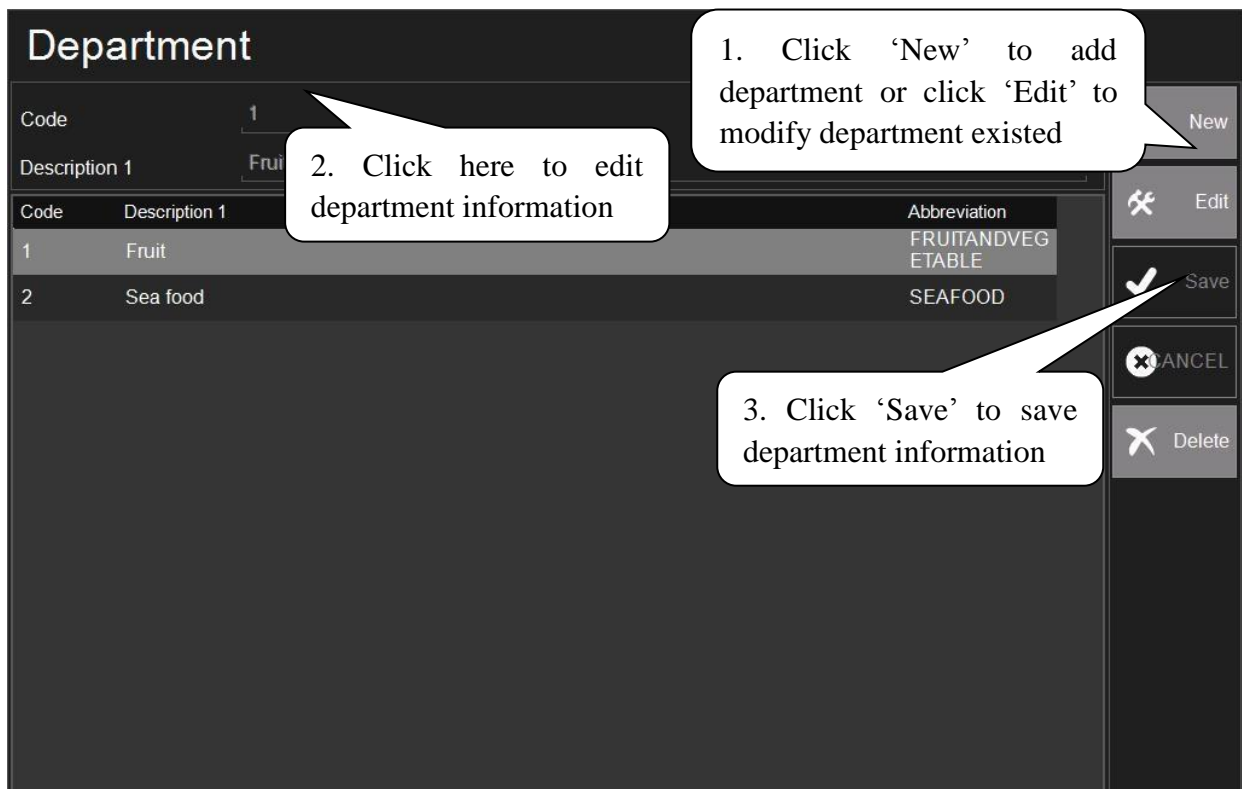
5.2.4.3. Parent Category

The screenshot shows the 'Category' management screen with a modal dialog box titled 'Please select parent category'. The dialog box contains a list of categories: 'Sea Food', 'Cheese', 'Meat', and 'Pizza'. The 'Common' tab is selected in the background. The 'Parent Category' field in the form is highlighted. There are two callouts: one pointing to the 'Parent Category' field and another pointing to the 'Cheese' option in the dialog box.

1. Click here to select Parent Category
2. Choose parent category here



5.2.4.4. Department



5.2.4.5. Vender Authority

The screenshot shows the 'Vender Authority' window. It features a central list of functions with checkboxes, and a right-hand sidebar with action buttons. The interface is dark-themed with yellow highlights for selected items.

Authority

Function

- Settings
- POS
- Parameter Settings
- Program
- Reports
- Setup

Function

- Activate P...
- Basic Print Option
- settings
- Daily Report Print Option
- Data Backup
- Data Backup & Recovery
- Download Printer Font
- Erase Data
- Label Manage
- Network Sett...
- Region And Language
- Reset System
- Scale Related
- Screen Capture
- Server & Client
- Software Update
- Software Version

Buttons: New, Edit, Save, Cancel, Delete, Password, Exit

1. Click 'New' or 'Edit' to add/modify authority
2. Choose the authority needed
3. Choose the function needed here
4. Tick before this item if needed
5. Click 'Save' after editing
6. Click 'Exit' after editing

5.2.4.6. Vender

The screenshot shows the 'Vender' window with a table of vendor information and a right-hand sidebar with action buttons.

ID	Name
000	Admin
001	Cashier

Buttons: New, Edit, Save, Delete, Cancel, Exit

1. Click 'New' or 'Edit' to add/modify vender existed
2. Editing vender relevant information here
3. Click 'Save' after editing
4. Click 'Exit' to exit vender editing interface

5.2.4.7. Payment Method

The screenshot shows the 'Payment Method' editing interface. At the top, there are input fields for 'Id' (000) and 'Name' (Cash). Below this is a table of 'System Payment Method' with columns 'Id' and 'Name'. The first row is highlighted in yellow. To the right of the table are buttons for 'New', 'Edit', 'Save', 'Delete', and 'Cancel'. At the bottom right is an 'Exit' button. Four callout boxes provide instructions: 1. Click 'New' or 'Edit' to add/edit payment method (pointing to the 'Edit' button); 2. Edit payment information here (pointing to the 'Name' field); 3. Click 'Save' after editing (pointing to the 'Save' button); 4. Click 'Exit' to exit payment editing interface (pointing to the 'Exit' button).

Id	Name
000	Cash
001	Credit Card
002	EFTPOS
003	RFID Card

5.2.5. Traceability

Under 'Program' interface, click 'Country', 'Cutting Hall', 'Slaughter House', 'Origin' and 'Factory' under the 'Traceability' one by one to set the Traceability of Commodities. The steps of all the 5 settings are the same, take editing 'Country' as an example:

The screenshot shows the 'Program 2/2' interface. On the left is a sidebar with 'Reports', 'Program', and 'Setup'. The main area has a 'Various' section with 'Cashier' and 'Payment Method' buttons. Below it is a 'Traceability' section with a red box around five buttons: 'Country', 'Cutting Hall', 'Slaughter House', 'Origin', and 'Factory'. Two callout boxes provide instructions: 1. Click 'Program' (pointing to the 'Program' button in the sidebar); 2. Click following block one by one to edit traceability (pointing to the 'Country' button).

Country

Dictionary ID: 1
Description: American

Dictionary ID	Description
1	American
2	China
3	Canada
4	Holand

Buttons: New, Edit, Save, Cancel, Delete, Exit

1. Click 'New' to add new country information or click 'Edit' to modify country information

2. Edit Country ID and Description of country here

3. Double click country here for modifying or deleting

4. Click 'Save' after editing

5.3. Setup

Set Up

Reports

Program

Setup

Parameter Settings

Basic 1

- Company Info
- Theme And Style
- Barcode Format

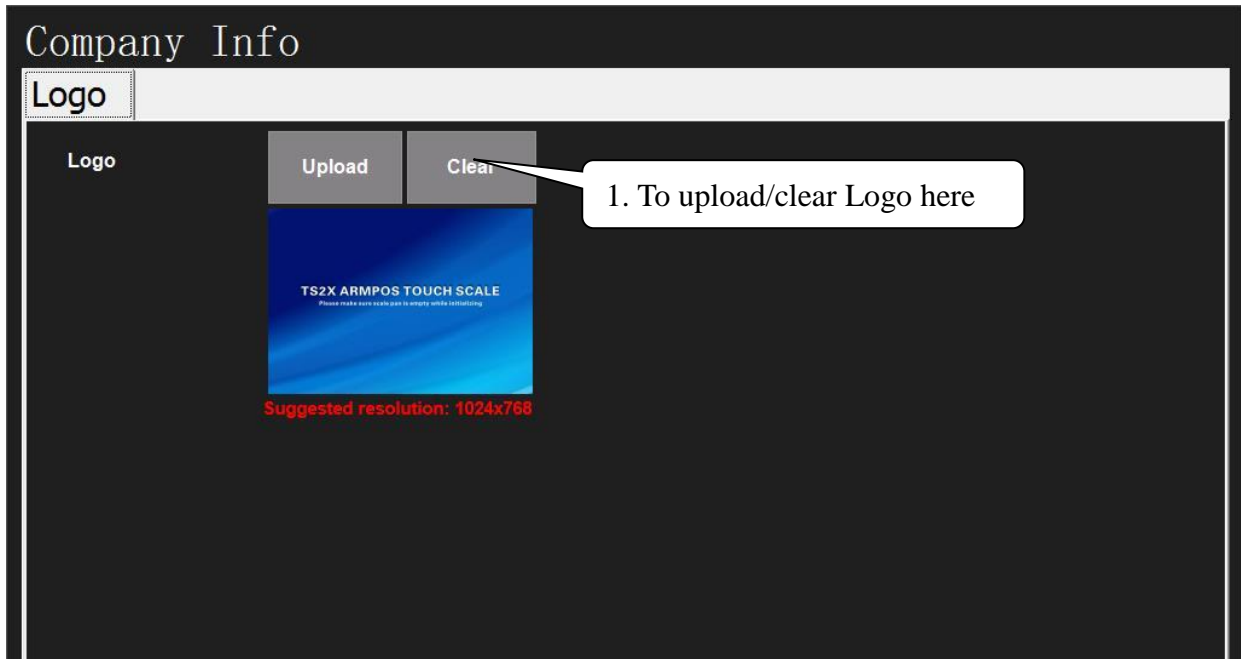
Application

- Self-Service Sc
- Label scale
- Floating Vender

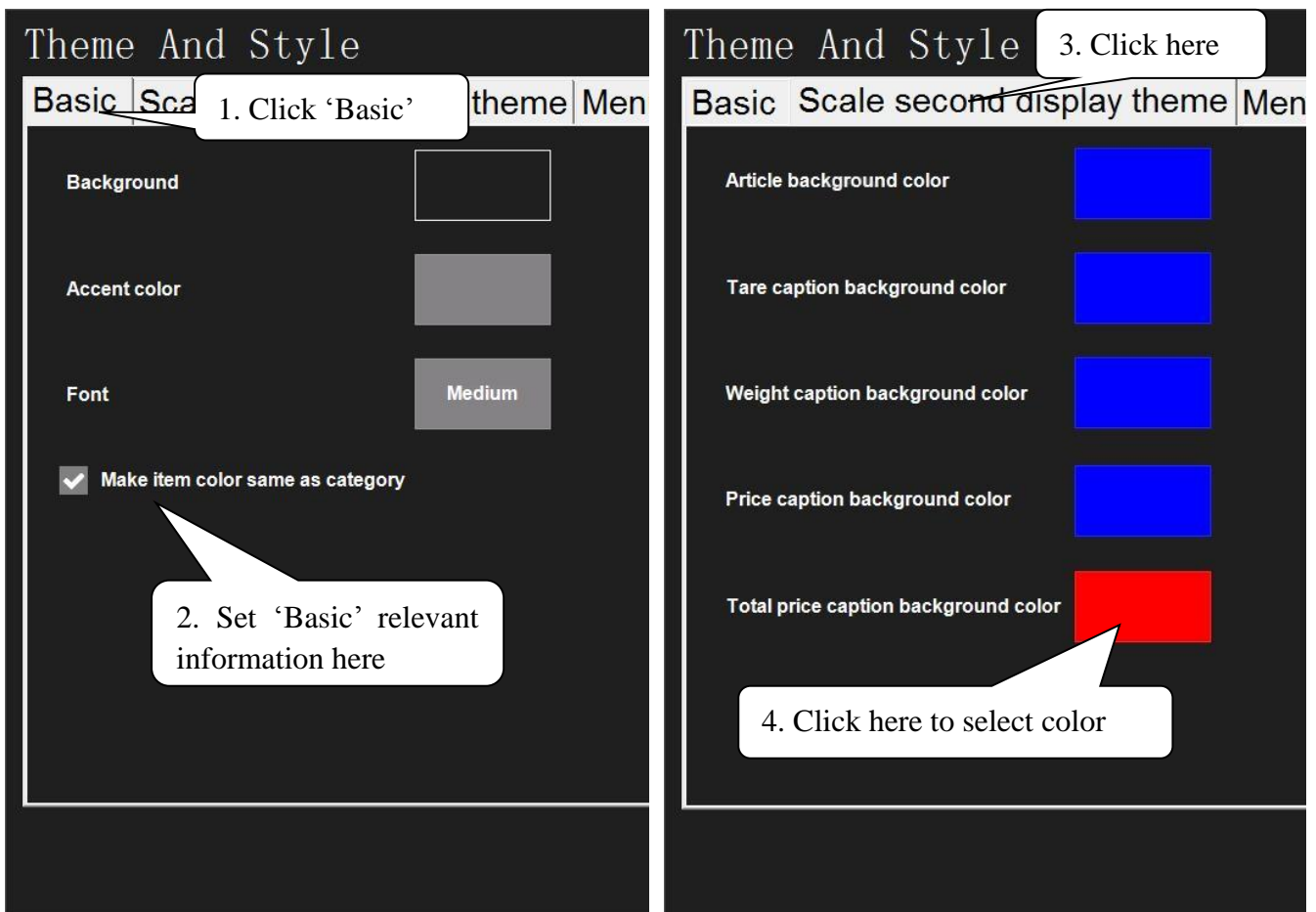
Click 'Setup' to enter into setup interface

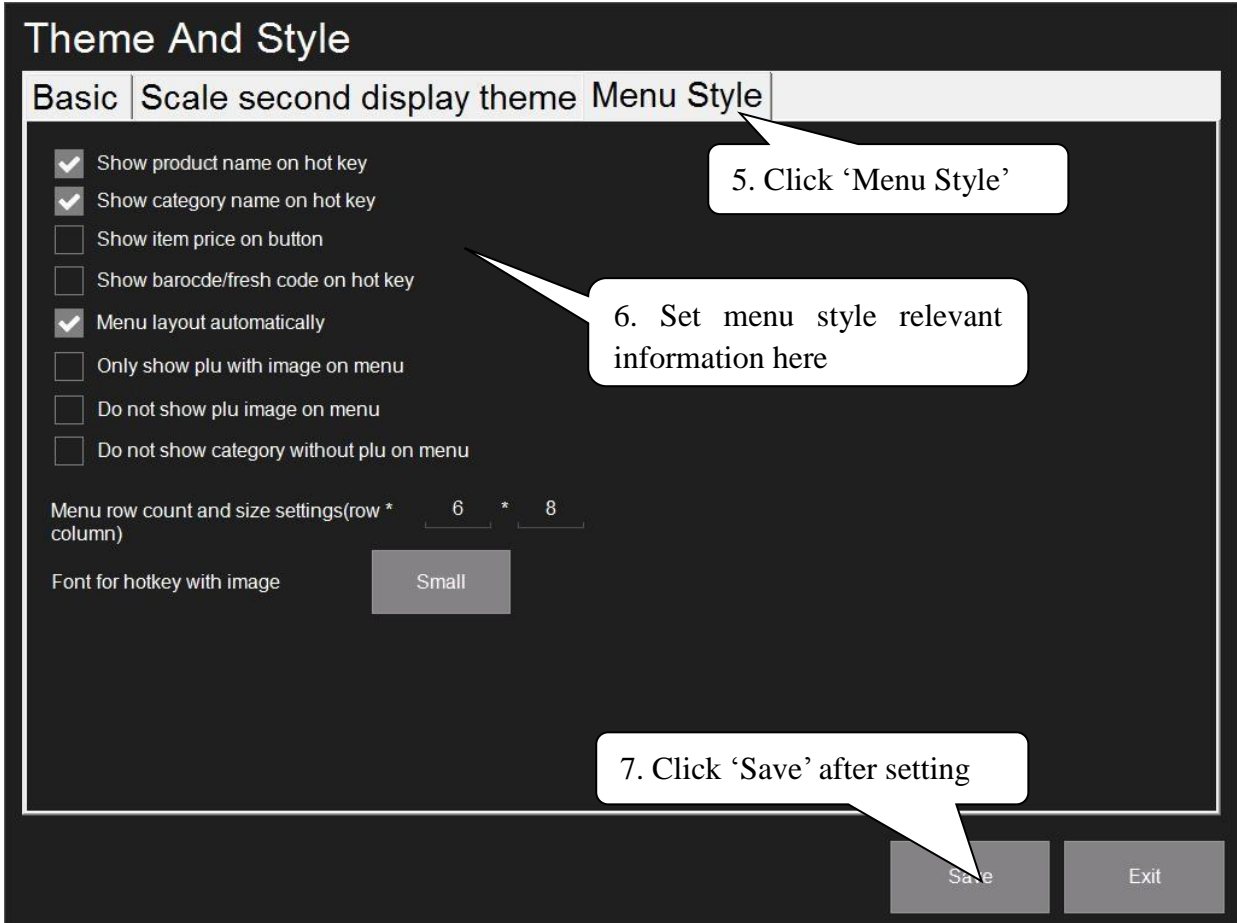
5.3.1. Basic

5.3.1.1. Company Info

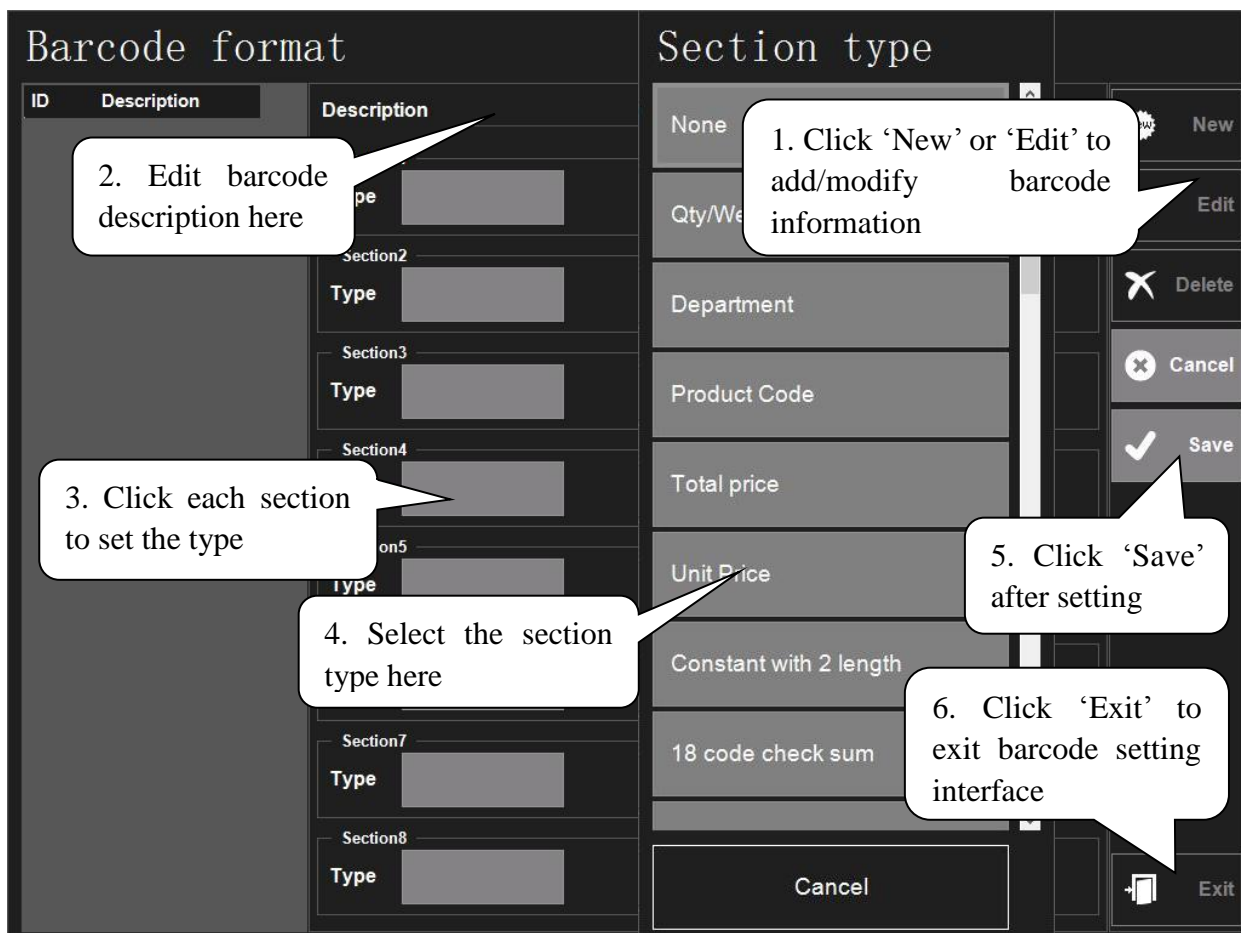


5.3.1.2. Theme and Style

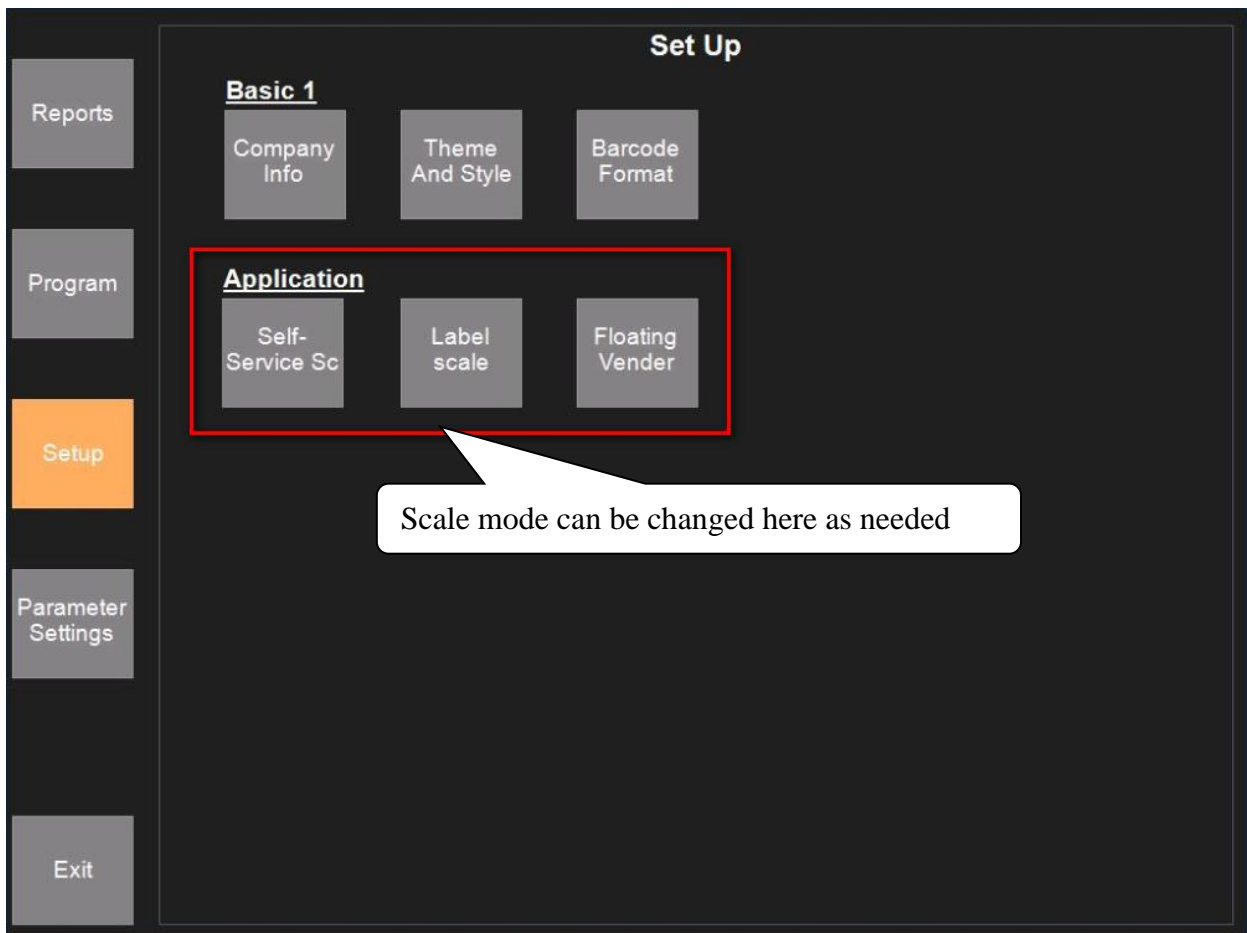




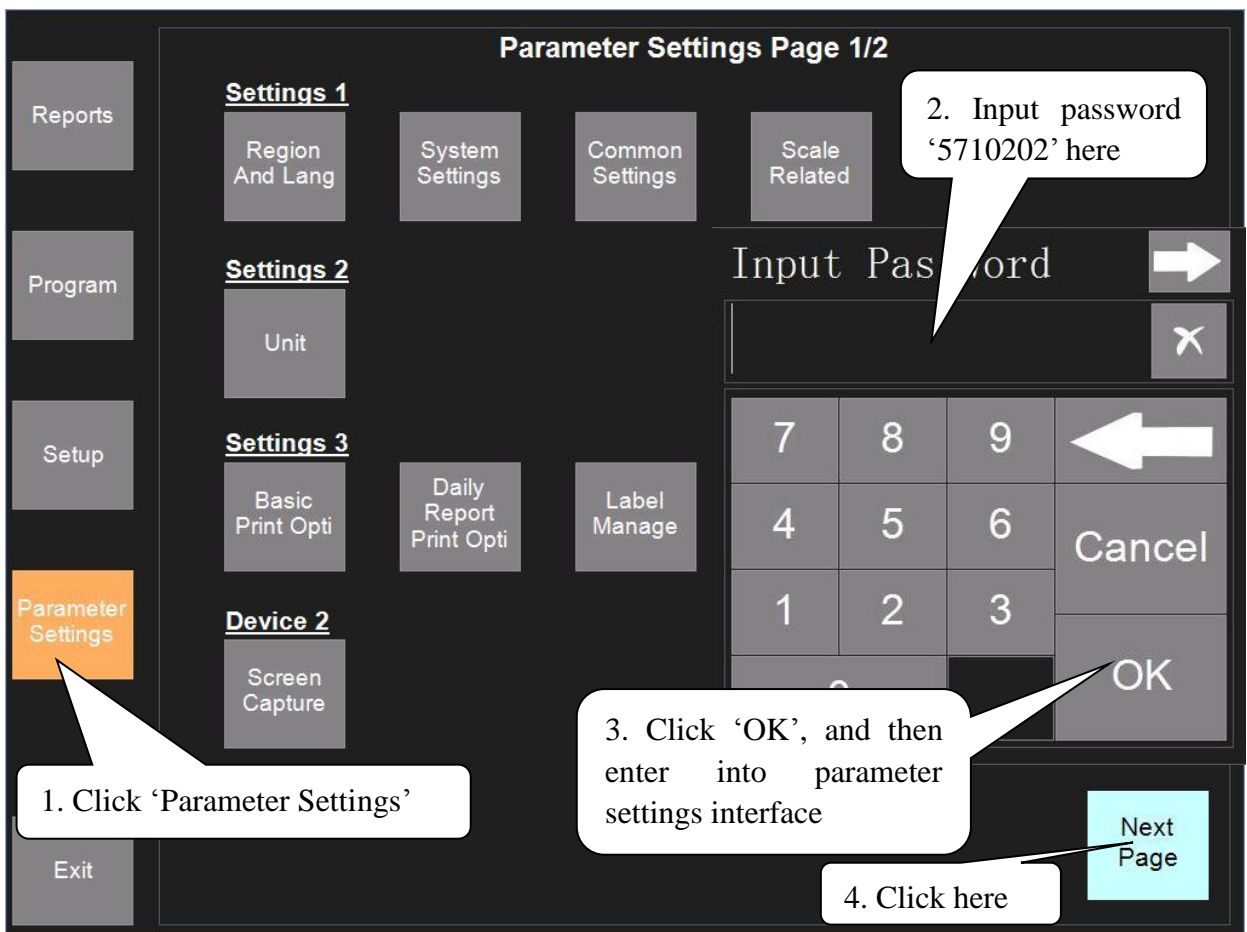
5.3.1.3. Barcode Format

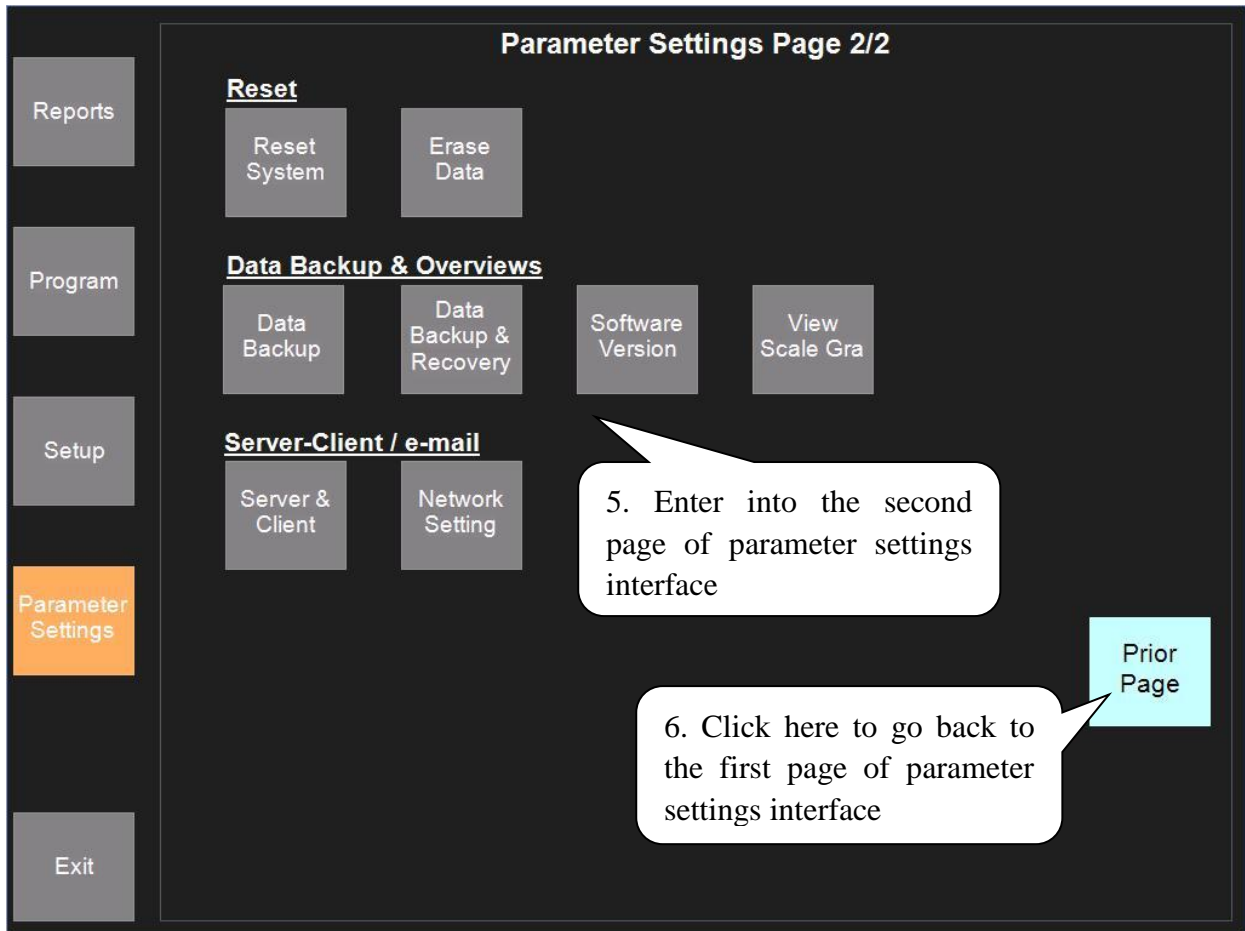


5.3.2. Application



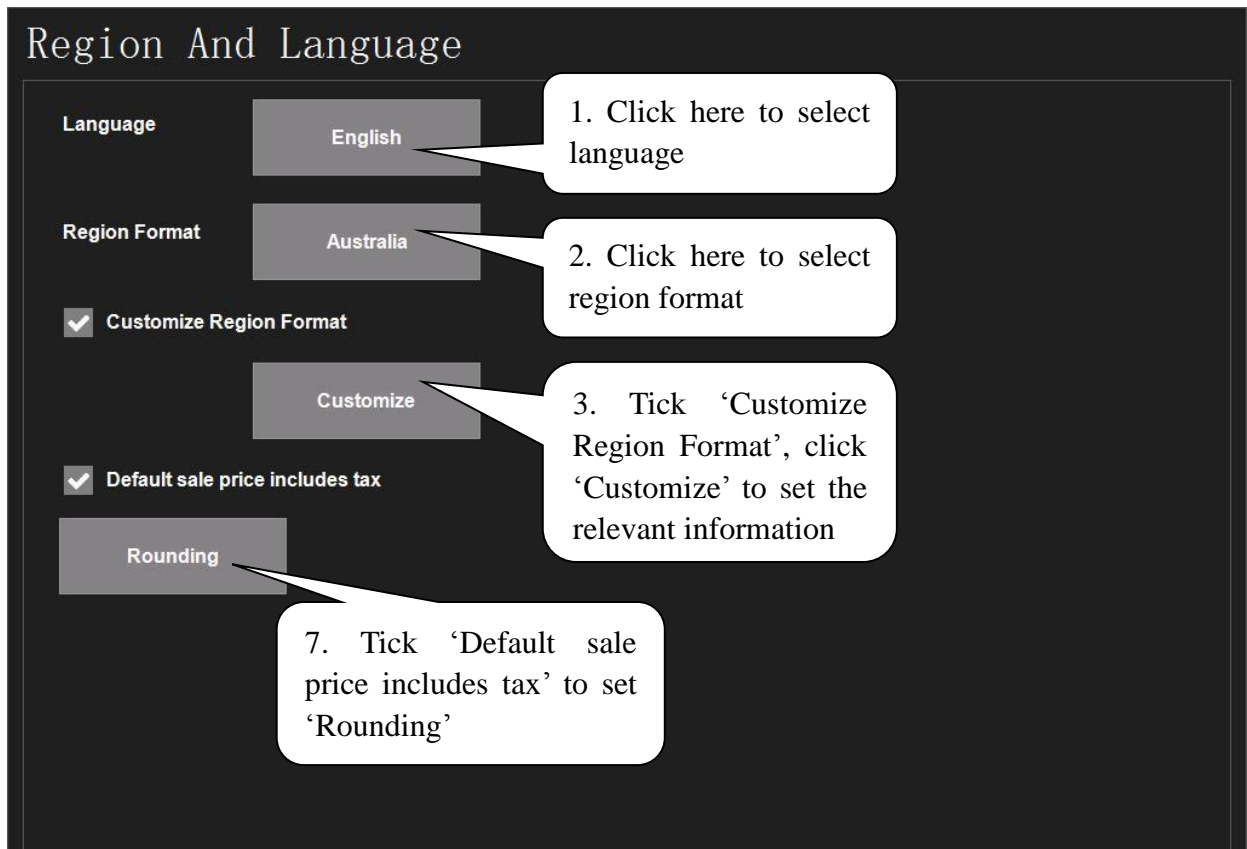
5.4. Parameter Settings

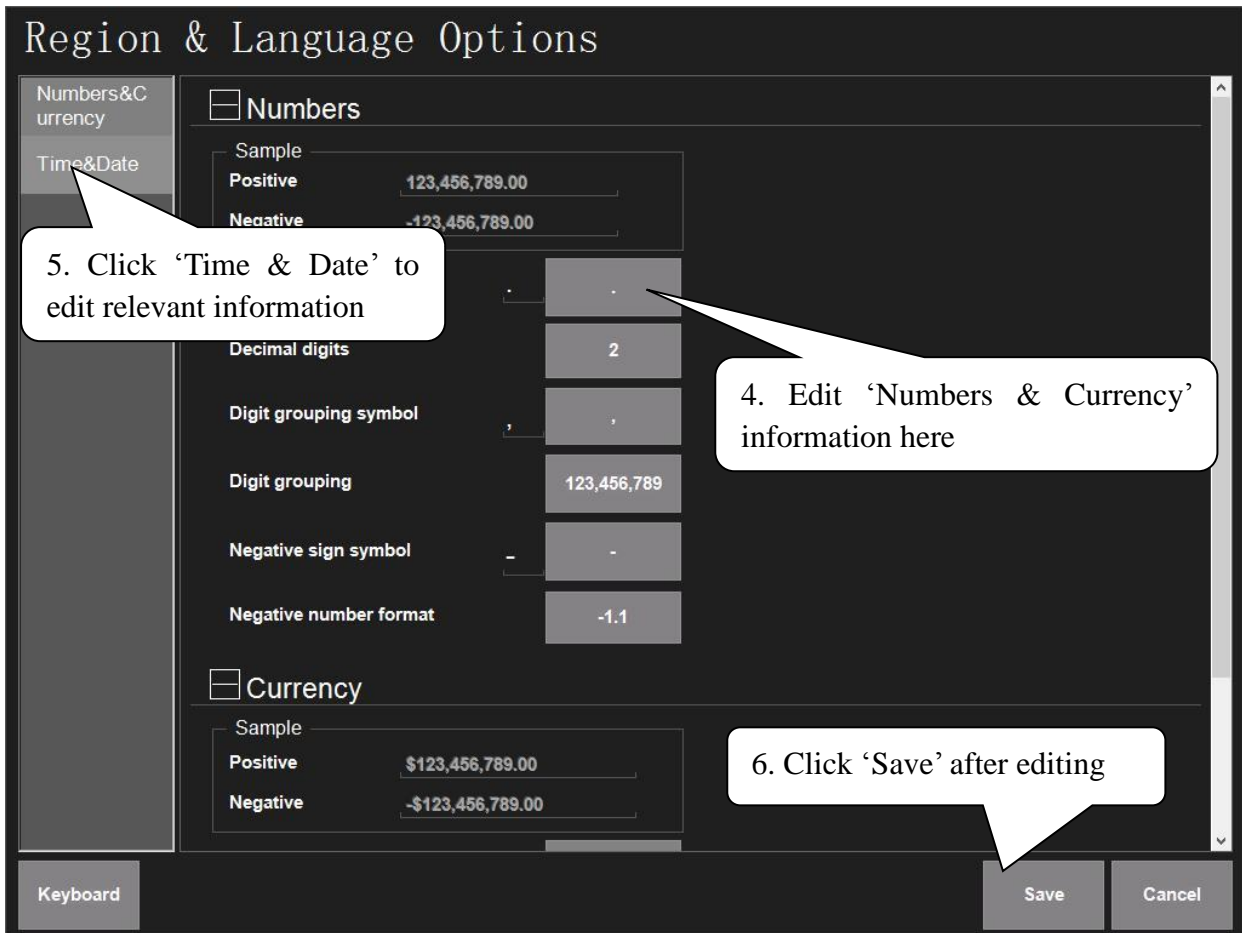




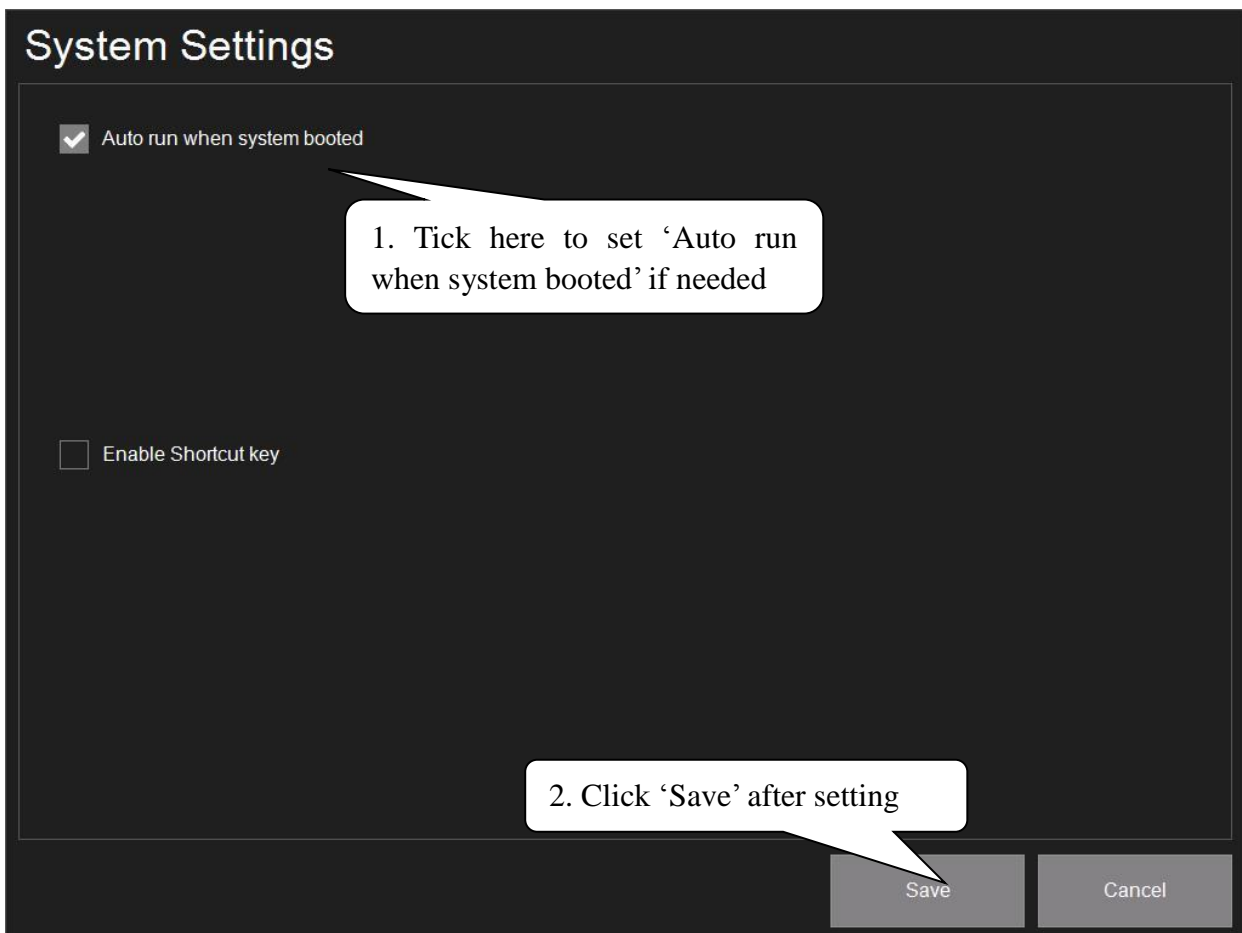
5.4.1. Settings 1

5.4.1.1. Region and Language

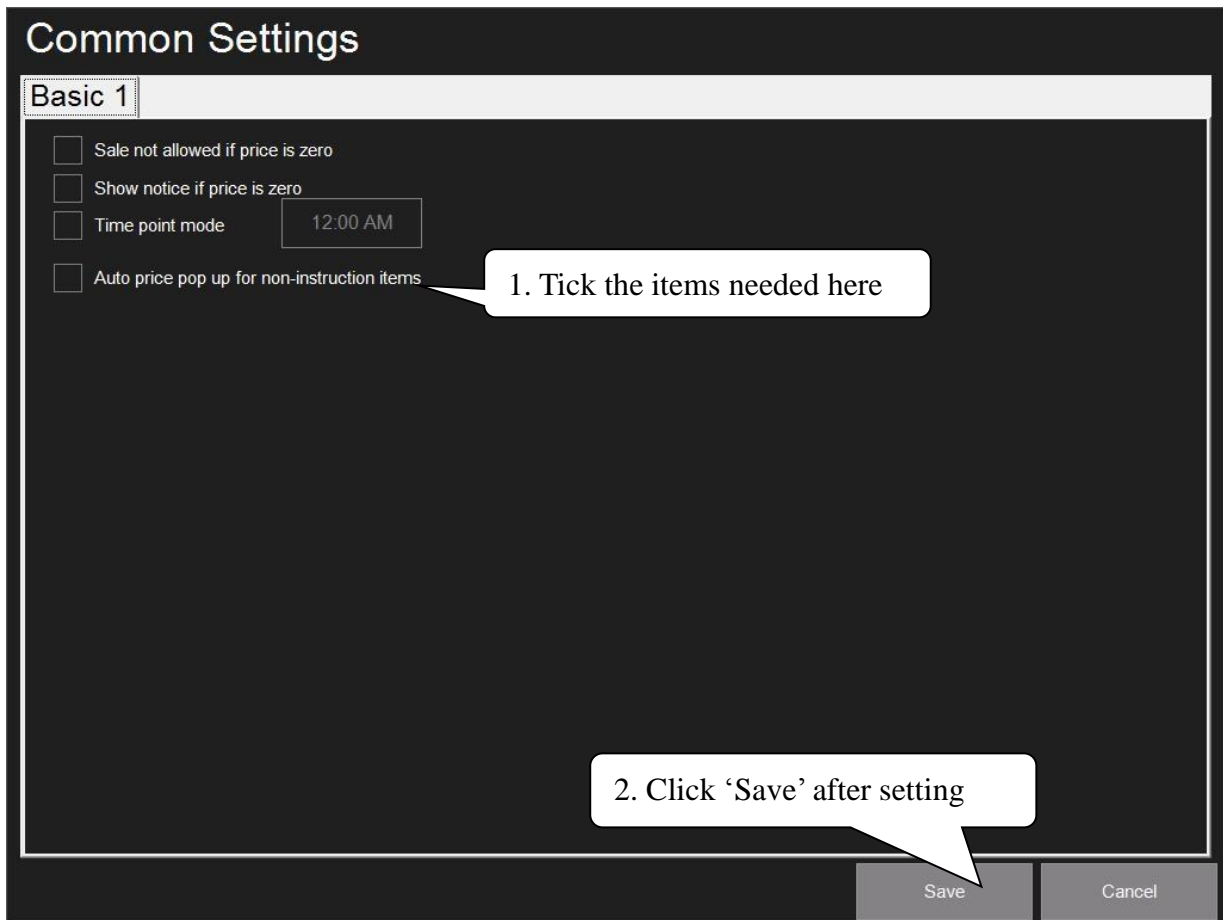




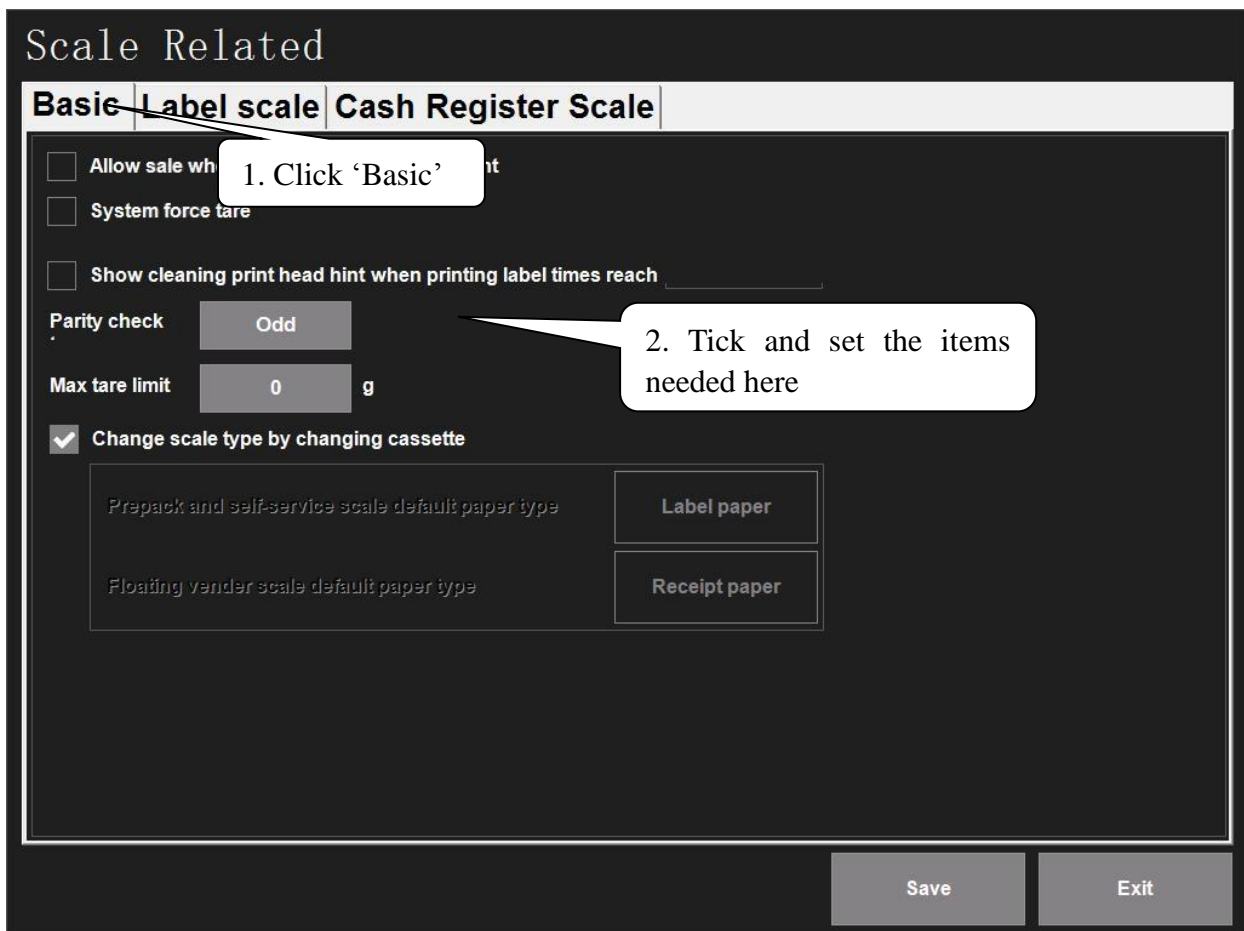
5.4.1.2. System Settings



5.4.1.3. Common Settings



5.4.1.4. Scale Related



Scale Related

Basic | **Label scale** | Cash Register Scale

3. Click 'Label scale'

- Production date and time use the time when printing label
- Record while printing label
- Self-service scale back to start page idle timing selection(s)

- Print weight as gram
- Enable plu new and delete

4. Tick the items needs here

- Label printing option
- Do not print unit price unit
 - Do not print total price unit
 - Do not print weight unit

Plu Default Value

Default Label No Default Barcode Format

Default Label No	Default Barcode Format
<input type="text"/>	<input type="text"/>
<input type="text"/>	<input type="text"/>

Save

Exit

Scale Related

Basic | Label scale | **Cash Register Scale**

5. Click 'Cash Register Scale'

- Do not show subtotal on second display
- Print QR code for payment

Select from list

Start with

Split by

End with

6. Tick and edit items needed here

Back to registration screen settings

- Back to registration screen directly after printing of receipt is started
- Back to registration screen after seconds

Scanner binded with vender

7. Click 'Save' after setting

Save

Exit

5.4.2. Settings 2

5.4.2.1. Unit

The screenshot shows the 'Unit' settings interface. At the top, there is a 'Description' input field. Below it is a table with columns 'ID', 'Description', and 'Custom description'. The table is divided into 'System' and 'User-defined' sections. The 'System' section contains units like 50g, g, 10g, 100g, kg, oz, lb, and 500g. The 'User-defined' section is currently empty. On the right side, there is a vertical toolbar with buttons for 'New', 'Edit', 'Delete', 'Save', 'Cancel', and 'Exit'. Callouts provide instructions: '2. Editing Unit Description here' points to the 'Description' field; '1. Click 'New' or 'Edit' to editing Unit information' points to the 'Edit' button; and '3. Click 'Save' after editing' points to the 'Save' button.

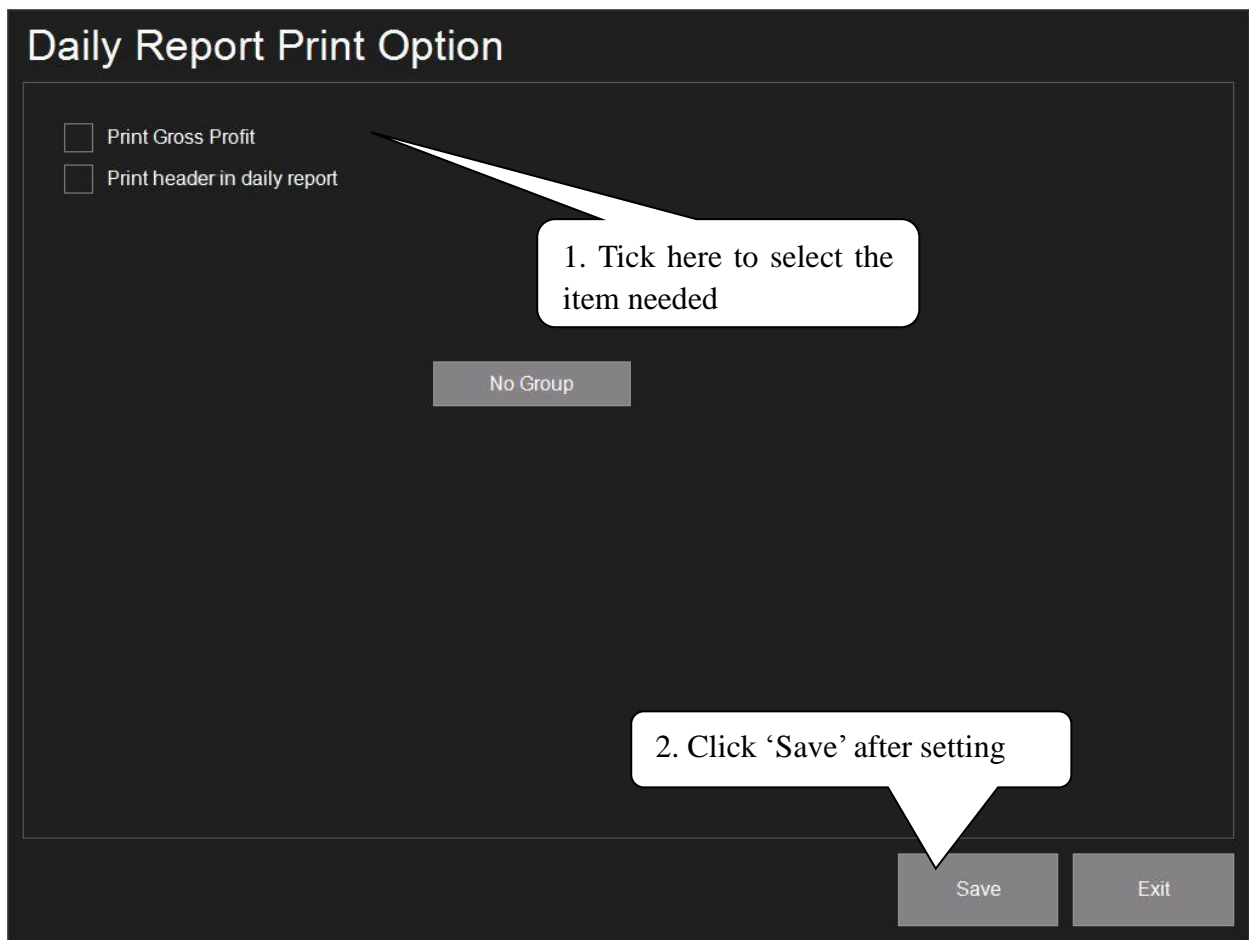
ID	Description	Custom description
0	50g	
1	g	
2	10g	
3	100g	
4	kg	
5	oz	
6	lb	
7	500g	

5.4.3. Settings 3

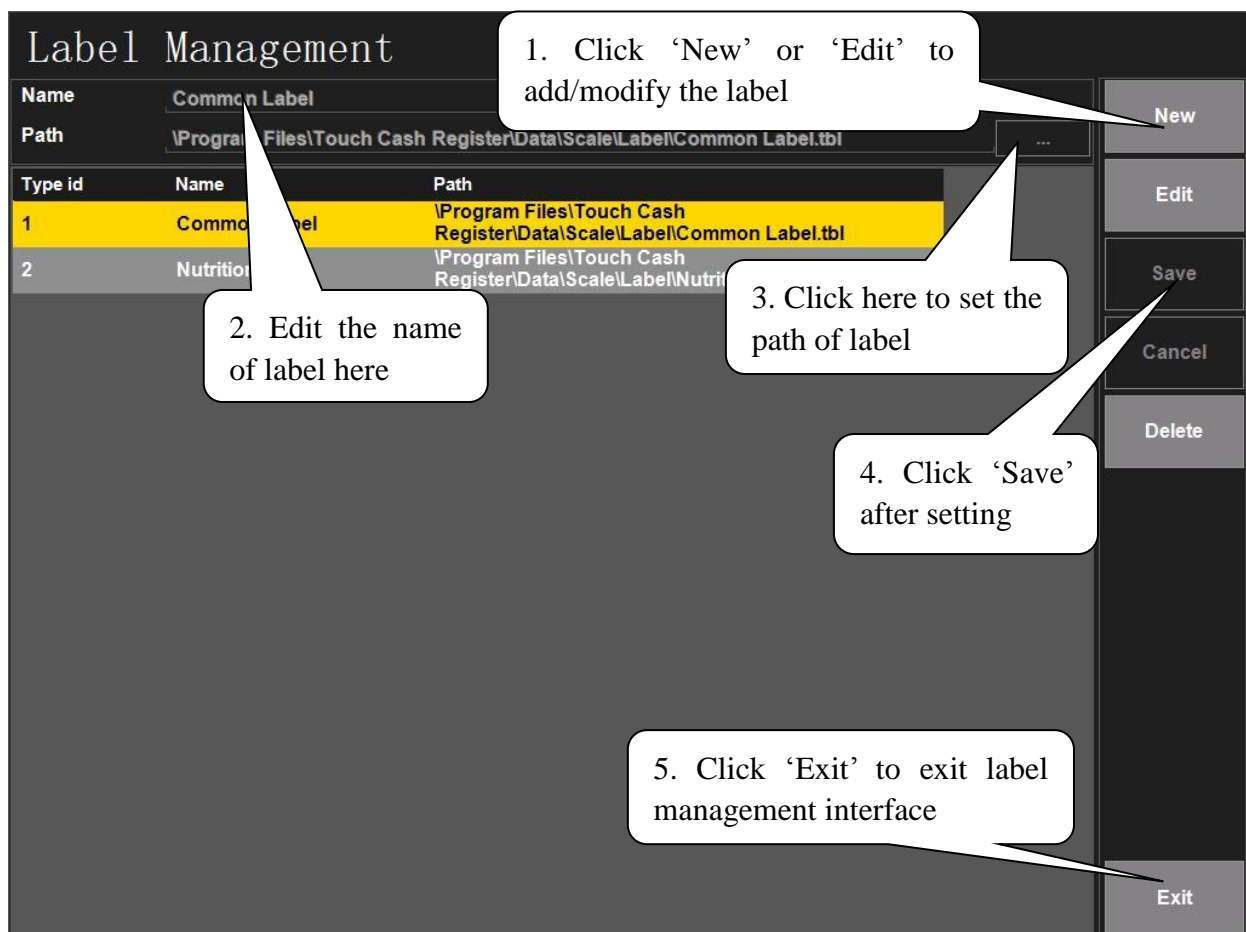
5.4.3.1. Basic Print Option

The screenshot shows the 'Basic Print Option' settings interface. It is split into two panes. The left pane, titled 'Print Option 1', contains a list of checkboxes: 'Print Instruction', 'Print Notes', 'Receipt not print sub items', 'Print Tax On Receipt', and 'Not Print When Price is Zero'. The right pane, titled 'Advanced Settings', contains two settings: 'Print Space rows' and 'Bill Print Times', each with a numeric input field set to '1'. Callouts provide instructions: '1. Click 'Print Option 1'' points to the left pane; '2. Tick the items needed here' points to the checkboxes; '3. Click 'Advanced Settings'' points to the right pane; and '4. Edit the settings needed here' points to the numeric input fields.

5.4.3.2. Daily Report Print Option



5.4.3.3. Label Management

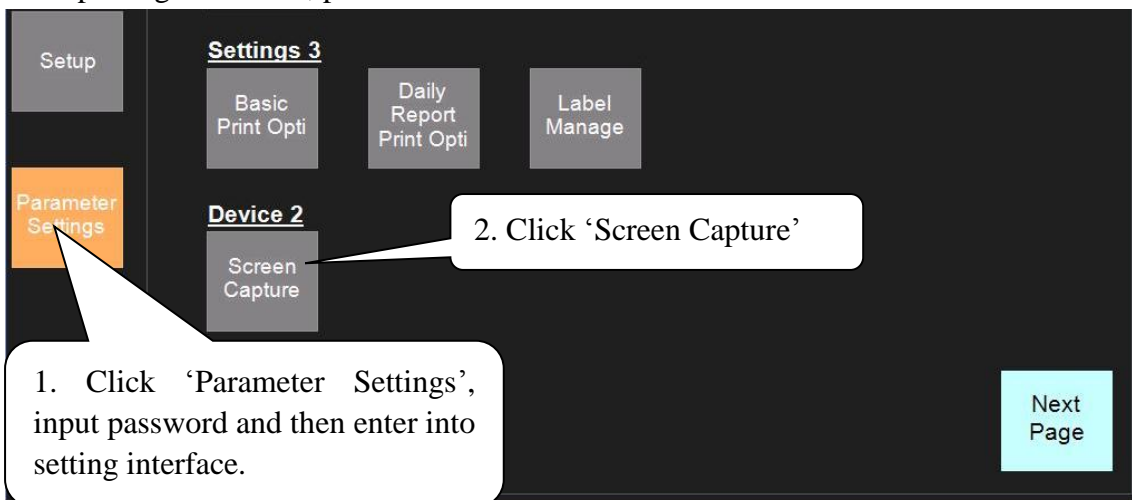


5.4.4. Device 2

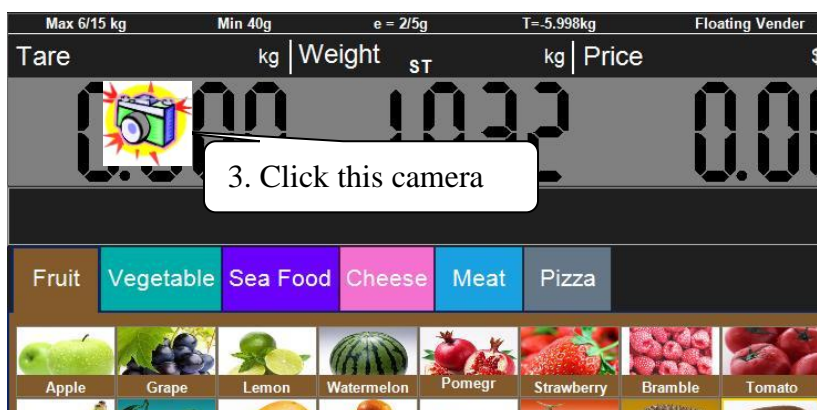
5.4.4.1. Screen Capture

This function is for capturing the screen on the scale.

Before capturing the screen, please insert an USB into the USB interface.



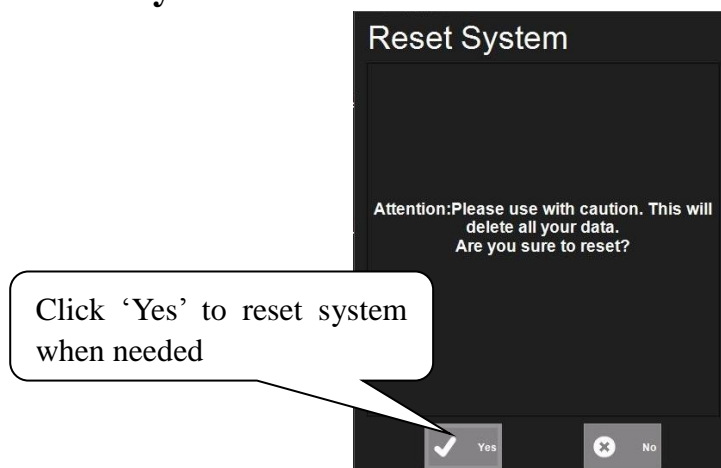
Now there will be a picture of camera on the top left corner on the mainboard interface. Click the camera and the screenshot will be saved to the folder named 'ScreenCaptureImages' in the USB.



Note: After the operation of Screen Capture, click 'Parameter Settings'—'Screen Capture' again to cancel it, and pull out the USB.

5.4.5. Reset

5.4.5.1. Reset System



5.4.5.2. Erase Data

The screenshot shows the 'Erase Data' interface. At the top, there is a title 'Erase Data' and a red warning message: 'Attention: Please use with caution. This will delete all the sales before the selected date (Does not include selected date)'. Below this, a date selector shows '29/05/2018'. There are three checkboxes: 'Erase POS' (checked), 'Erase order' (checked), and 'Erase RFID' (unchecked). A callout bubble points to these checkboxes with the text '1. Tick the items that need to be erased here'. Below these is another red warning: 'Attention: Please use with caution. This will delete all your data.' and a checkbox for 'Erase Basic' (unchecked). At the bottom right, there are two buttons: 'Erase' and 'Cancel'. A callout bubble points to the 'Erase' button with the text '2. Click 'Erase' to erase data'.

5.4.6. Data Backup & Overviews

5.4.6.1. Data Backup

The screenshot shows the 'Auto Backup Data' interface. At the top, there is a title 'Auto Backup Data'. Below it, there is a checkbox for 'Auto Backup Data' which is checked. A callout bubble points to this checkbox with the text '1. Tick the 'Auto Backup Data' here'. Below the checkbox, there is a 'Backup path' label and a text input field containing 'D:\'. To the right of the input field is a button with three dots '...'. A callout bubble points to this button with the text '2. Click here to select the path of backup data space'. Below the input field, there is a red warning message: 'Please ensure adequate backup space'.

5.4.6.2. Data Backup & Recovery

Data backup & recovery

Backup 1. Click 'Backup'

Path ...

Only backup basic data

2. Click here to select the backup path

Including Paramaters

3. Tick the items needed here

Path ...

Data backup & Recovery

Recovery 4. Click 'Recovery'

Path ...

Only recover basic data

5. Click here to select the recovery path

Recovery Paramaters

6. Tick the items needed here

Path ...

5.4.6.3. Software Version

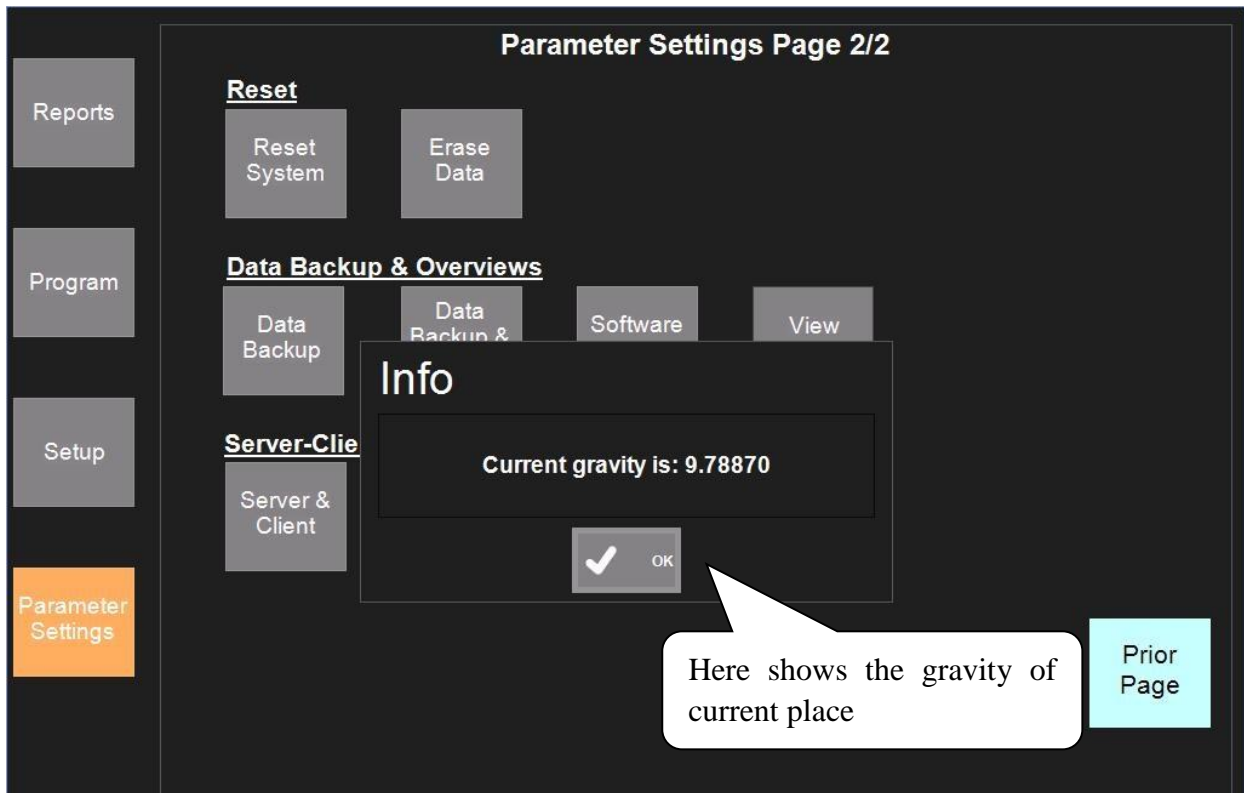
Soft version

Program	Version
Software Version	2.0.19.1
Legal certification version	V2.102
Scale firmware version	V5.180
OP Box firmware version	1.083 20181107
Identification code	26141

Here shows the software relevant information

Exit

5.4.6.4. View Scale Gravity



5.4.7. Server-Client / e-mail

5.4.7.1. Server & Client



5.4.7.2. Network Setting

The image shows two side-by-side screenshots of a 'Network Setting' interface. The left screenshot shows the 'Routine' tab with callouts: '1. Click 'Routine'' pointing to the tab, and '2. Set network relevant information here' pointing to the form fields. The right screenshot shows the 'Detailed information' tab with callouts: '3. Click here' pointing to the 'Routine' tab, and '4. Edit network relevant information here' pointing to the 'DNS Servers' field.

Network Setting	
Routine	Detailed information
<input checked="" type="radio"/> Automatically obtain IP address	Address type: Through the DHCP assignment
<input type="radio"/> Manually set the IP server address	Ip address: 169.254.33.42
Ip address: _____	Subnet mask: _____
Subnet mask: _____	Default gateway: 0.0.0.0
Default gateway: _____	Physical Address: 00-0E-C6-CB-10-BA
DNS Servers: _____	DNS Servers: 218.85.152.99

6. Familiar Malfunctions Analysis and Elimination

1. Cannot Turn on the TS5X Terminal

Reasons Analysis:

If the TS5X cannot be turned on after connecting with the power supply, the possible reason may be there are some problems on the power supply.

Solutions:

- (1) Firstly please check if the power adapter is electrified.
- (2) Please check if the terminal connects with the power adapter well, and then repress the power button.
- (3) Bad work situation (high temp. or work too long time) may cause the terminal to turn off automatically. Please wait for a moment before turning it on again to improve the work situation.
- (4) If this problem is caused by abrupt power off or illegal turning off, please pull out the power adapter from the terminal, and then press power button several times, then insert the power adapter into the terminal and turn on the terminal.
- (5) If the indicator light of power adapter is off or twinkling when connecting with the power, please pull out it immediately, and check if its indicator light is normal; if it is normal, please don't connect with the power again; please contact our service center immediately.
- (6) If the TS5X you choose has the reset button (refer to Chapter 1.8 for the location of reset button), please try to press it to reset the device.

2. TS5X Terminal Auto-Restart (Or Turn Off)

Reasons Analysis:

The occasion of TS5X auto turn off or restart occurs very often in working status (or just after startup).

Solutions:

- (1) Please check if the power is well connected;
- (2) Please check if AC 220V is steady;
- (3) If this problem is caused by abrupt power off or illegal turning off, please wait for a while to restart the terminal;
- (4) If it is caused by hardware addition or replacement, please return or remove the hardware.

3. The TS5X cannot Surf the Internet (or Low Efficiency)

Reasons Analysis:

The TS5X could not get access to the webpage.

Solutions:

- (1) Please check if the external network cable is well connected;
- (2) Startup the TS5X, then install the network cable. Check if the green light in the connector of network cable is on and the orange light is twinkling or not. If not, please recheck the network cable is well connected;
- (3) Cursor in Touch Screen Flops at the Same Place or Touch Inexactly.

Reasons Analysis and Solutions:

- (1) Please check if the touch screen is dirty or stuck with foreign matters. In that case, please get rid of the foreign matters and make the screen clean;
- (2) Please check if the shell is transfigured. In that case, the machine needs to be returned to the factory.

4. The Screen Displays Unclearly Or With Water Wave

Reasons Analysis and Solutions:

Please make sure the compute is away from the high-pressure equipment.

5. USB Equipment Cannot Be Used

Reasons Analysis and Solutions:

- (1) Check if the USB equipment is ok;
- (2) USB equipment cannot be too long, or it may be not provided enough power.

6. Cannot go on ordering

Note: this function is only for LINUX system.

Reasons Analysis and Solutions:

- (1) Because of full record of transaction, it cannot go on ordering. Please enter into Maintenance on the main menu, and then enter 4067 to enter into the next menu. Select and enter into Utilities, and then select Clear All to clear the transaction record;
- (2) Enter a digit of high value like 5000, and then order a commodity. By now, the sales page will be jamming and cannot go on ordering. This phenomenon is caused by the same reason as the first point above described. Please do the same as the above solution.

7. Cannot Connect With The Printer

Reasons Analysis and Solutions:

- Firstly check if the printer is ok;
- If the printer connects with POS terminal well.

8. TS5X Cannot Print After Checkout

Note: this function is only for LINUX system.

Reasons Analysis:

The setting of printing after checkout is not open in software settings.

Solutions:

Enter into Run Office → Yes → Master Till → Setup Printers → 1 (enter the password) → Setup → Till Setup → Touch Screen → Master Till → Edit Till → Setup Printers → TS5X → Setup Devise → Manual Printer. Turn the green tick '√' to a Red Cross '×'.

7. Appendix: Barcode Coding List

Barcode Type	Department	Commodity Number	Total Price	Weight	Checksum
00~09: Ean13 code, the front two codes represent department code:					
00	DD (2)	IIIIIIII (10)	X	X	C
01	DD (2)	IIIII (6)	PPPP (4)	X	C
02	DD (2)	IIIII (5)	PPPPP (5)	X	C
03	DD (2)	IIII (4)	PPPPPP (6)	X	C
04	DD (2)	III (3)	PPPPPPP (7)	X	C
05	DD (2)	IIIII (6)	X	Q.QQQ (4)	C
06	DD (2)	IIIII (6)	X	QQ.QQ (4)	C
07	DD (2)	IIIII (5)	X	QQ.QQQ (5)	C
08	DD (2)	IIIII (5)	X	QQQQ.Q (5)	C
09	DD (2)	IIIII (5)	X	QQQQQ (5)	C
10~19: Ean13 code, the front two codes represent fixed code:					
10	20(2)	IIIIIIII (10)	X	X	C
11	21(2)	IIIII (6)	PPPP (4)	X	C
12	22(2)	IIIII (5)	PPPPP (5)	X	C
13	23(2)	IIII (4)	PPPPPP (6)	X	C
14	24(2)	III (3)	PPPPPPP (7)	X	C
15	25(2)	IIIII (6)	X	Q.QQQ (4)	C
16	26(2)	IIIII (6)	X	QQ.QQ (4)	C
17	27(2)	IIIII (5)	X	QQ.QQQ (5)	C
18	28(2)	IIIII (5)	X	QQQQ.Q (5)	C
19	29(2)	IIIII (5)	X	QQQQQ (5)	C
20: No print barcode					
21~29: Ean13 code, the front one code represents department code:					
21	D (1)	IIIIII (7)	PPPP (4)	X	C
22	D (1)	IIIII (6)	PPPPP (5)	X	C
23	D (1)	IIIII (5)	PPPPPP (6)	X	C
24	D (1)	IIII (4)	PPPPPPP (7)	X	C
25	D (1)	IIIIII (7)	X	Q.QQQ (4)	C
26	D (1)	IIIIII (7)	X	QQ.QQ (4)	C
27	D (1)	IIIII (6)	X	QQ.QQQ (5)	C
28	D (1)	IIIII (6)	X	QQQQ.Q (5)	C
29	D (1)	IIIII (6)	X	QQQQQ (5)	C
30~35,40~45: 18 code, the front one code represents department code					
30&33	D (1)	IIIII (6)	PPPPP (5)	QQ.QQQ (5)	C
31&34	D (1)	IIIII (6)	PPPPP (5)	QQQQ.Q (5)	C
32&35	D (1)	IIIII (6)	PPPPP (5)	QQQQQ (5)	C
Barcode Type	Department	Commodity Number	Total Price	Weight	Checksum
40~45: Ean18 code, the front one code represents department code					
40&43	D(1)	IIIII(6)	UUUUU(5)	WW. WWW(5)	C
41&44	D(1)	IIIII(6)	UUUUU (5)	WWWW.W(5)	C
42&45	D(1)	IIIII(6)	UUUUU (5)	WWWWW(5)	C

50~52: 8 code					
50	X	IIIIII (7)	X	X	C
51	D (1)	IIIII (6)	X	X	C
52	DD (2)	IIII (5)	X	X	C
53	X	IIIIIII(8)	X	X	X
54	D(1)	IIIIII(7)	X	X	X
55	DD(2)	IIIII(6)	X	X	X
36-38: 18 code, the front one code represents department code, which is particular for the batch management of live commodity.					
36	D (1)	LLLLLL (6)	III (4)	RR (2)	QQ.QQQ (5)
37	D (1)	LLLLLL (6)	III (4)	RR (2)	QQQQ.Q (5)
38	D (1)	LLLLLL (6)	III (4)	RR (2)	QQQQQ (5)

Barcode Type	Department	Art. No	Quantity/Weight	Total/Unit Price	Checksum
79~85, 87: 18 code					
79	DD	IIIII(6)	WW.WWW	PPPPP	X
80	D	IIIII(6)	WW.WWW	PPPPP	C
81	D	IIIII(6)	WWWW.W	PPPPP	C
82	D	IIIII(6)	WWWWW	PPPPP	C
83	D	IIIII(6)	WW.WWW	UUU.UU	C
84	D	IIIII(6)	WWWW.W	UUU.UU	C
85	D	IIIII(6)	WWWWW	UUU.UU	C
87	DD	IIII(5)	WW.WWW	PPPPP	C

Barcode Type	Department	Art. No	Total Price	Quantity/Weight	Unit Price	Checksum
90~95: 18 code, the former two codes print department code						
90	DD(2)	IIIII(6)		WW.WWW	UU.UU(4)	C
91	DD(2)	IIIII(6)		WWWW.W	UU.UU(4)	C
92	DD(2)	IIIII(6)		WWWWW	UU.UU(4)	C
93	D(1)	IIIII(6)	PPPPP(5)		UUU.UU(5)	C
94	DD(2)	IIII(5)	PPPPP(5)	WW.WWW		C
95	DD(2)	IIIII(6)		WWWWW	UU.UU(4)	C
Barcode Type	Department	Art. No	Quantity/Weight	Total Price	Unit Price	Checksum
96	DD(2)	IIIII(6)	WWWW	PPPPP(5)		C
Barcode Type	Department	Art. No	Total Price	Quantity/Weight	Unit Price	Checksum
97	DD(2)	III(4)	PPPPPP(6)	WW.WWW		C
Barcode Type	Department	Art. No	Quantity/Weight	Total Price	Unit Price	Checksum
98	DD(2)	IIII(5)	UUUUU(5)	WW.WWW		C

Meaning of characters in the above list:

C: CHECKSUM D: Department Code 2: Fixed number I: Commodity number L: Live code
P: Price R: Discount Q: Weight X: No this item

Notes:

1. Ean 13= DEPARTMENT+CODE+[TOTAL PRICE]+[WEIGHT]+C

Items with [] mean no this item in some coding system.

2. Usually Ean13 adopts 2 or 22 as its price barcode type while 7 or 77 as its weight barcode type.
 3. CHECKSUM is calculated by the scale automatically and it is not necessary for user to input in PLU manager.
 4. The difference between 30-32 and 33-35 is the method to calculate checksum.
 5. The difference between 40-45 and 30-35 is that the price in 30-35 is total price while in 40-45 is unit price.
- 36-38 is barcode type, which can be accessed by live batch management. Commodity batch number takes up commodity number column and commodity number takes up live code column.

